



Name	SB091 IP65 on-off 22x30mm
Rated Range	16(8)A 250VAC T85/55 1E4
Contact resistance	$\leq 30\text{m ONMS Max}$
Insulation resistance	DC500V 100M OHMS Min
Compressive strength	AC1500V, 0.5MA, 5S
Electrical life	10000time
Mechanical life	10000time
Press power	1000~1500gf
Operating temperature	-25°C ~ +125°C
Degree of protection	IP65
Hypothermia	-25°C

Weldability

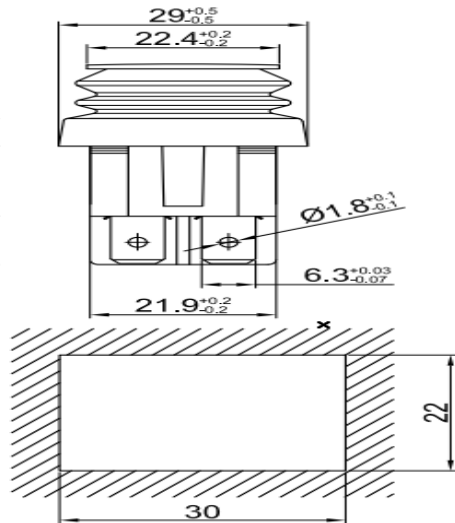
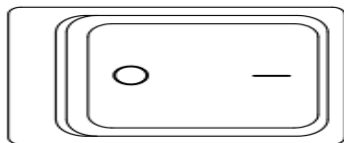
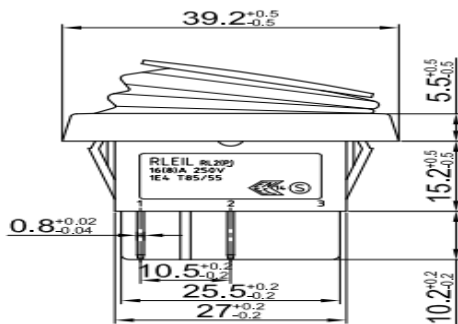
$\leq 235^{\circ}\text{C}$, $\leq 3\text{S}$

Resistance to soldering heat pick

$\leq 260^{\circ}\text{C}$, $\leq 3\text{S}$

Material

PA66



RUICHI