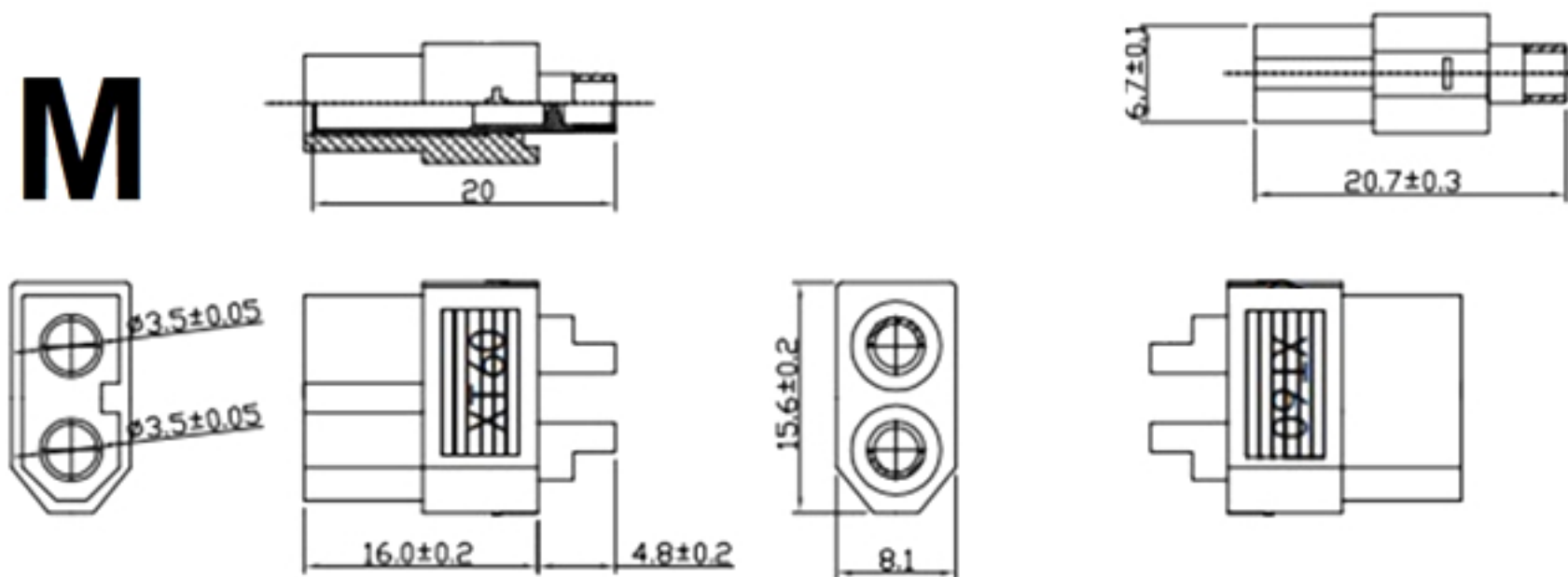
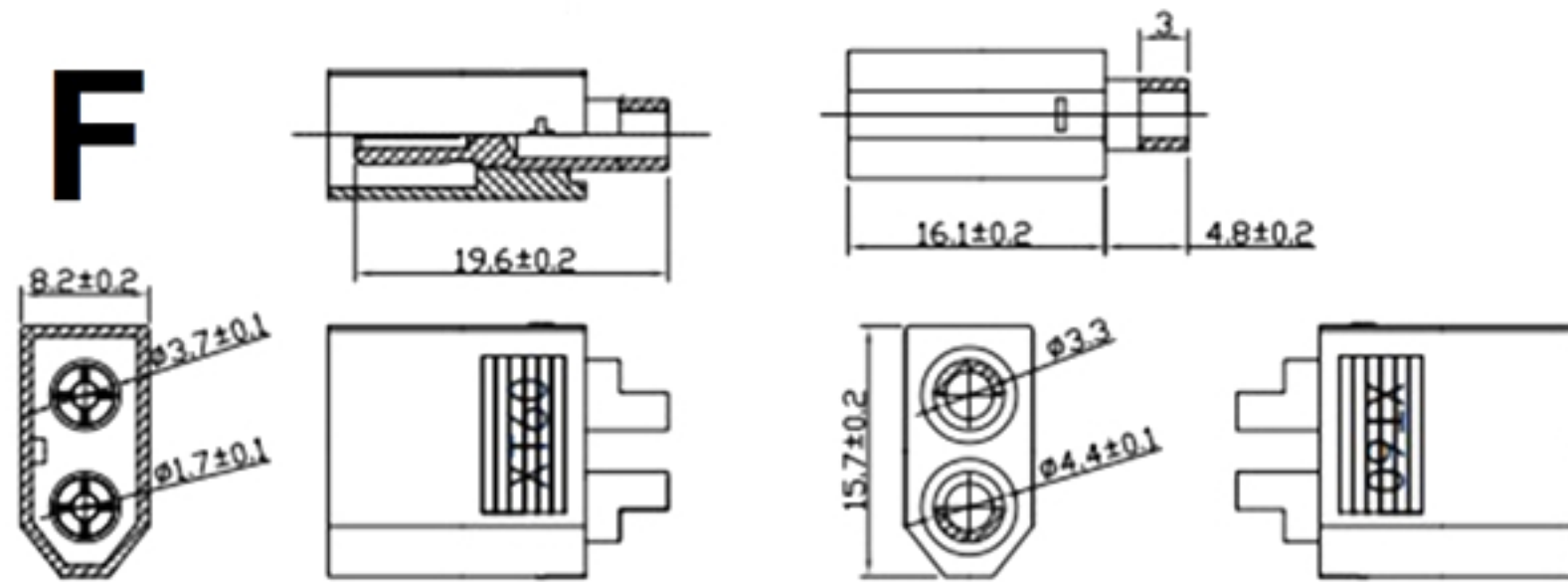


# ITEM: XT60 M+F



Product model: XT60 M+F  
Instantaneous current: 60A  
Rated current: 30A  
Rated voltage: DC500V  
Contact resistance: 0.55mΩ

Insulation material: PA  
Working temperature: -20--120 degrees Celsius  
Recommended wire gauge: 14AWG  
Recommended use times: 1000TIMES  
Flame retardant rating: UL94-V2

**RUI CHI**