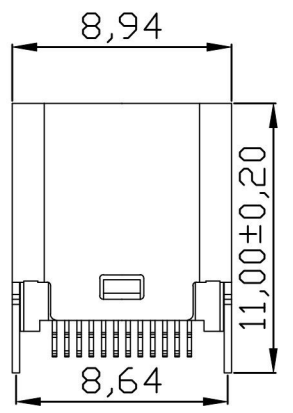
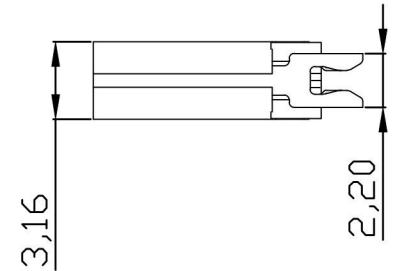
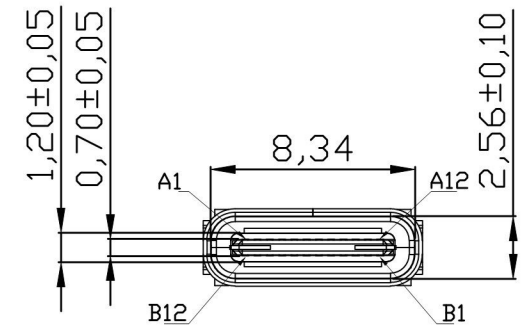
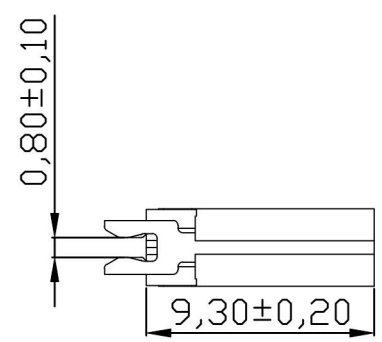
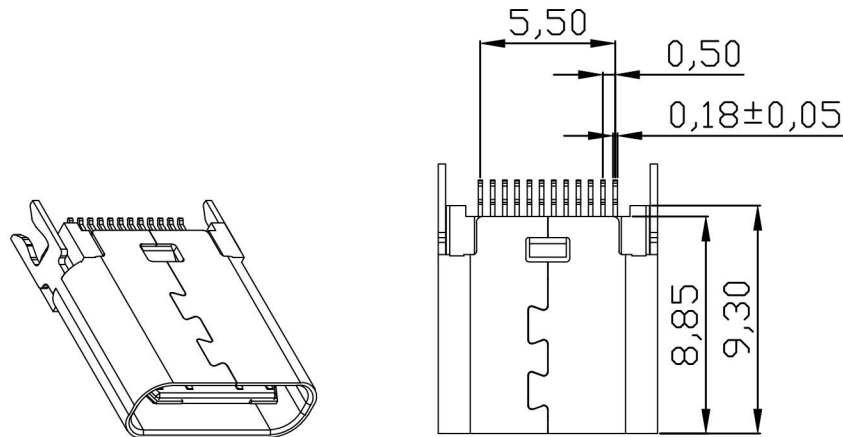


REV	LTR	DESCRIPTION	DATE	APPROVED
A0				



**ITEM:USB3.1 TYPE-C 24PF-012**

TOLERANCES . X ±0.30 . XX ±0.20 . XXX ±0.10 ANGLES ±1.00°		<b>RUI CHI</b>			
APPD. : CHECK:					PART NO. : DRAWING NO. : ALT-24p type-cF-075
DRAWN:	REV. : A/0	SIZE: A4	UNIT: M M	SCALE: 1 : 1	SHEET: 1 / 1