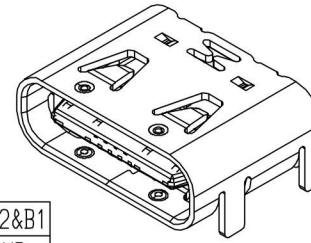


INTERFACE (FRONT VIEW)

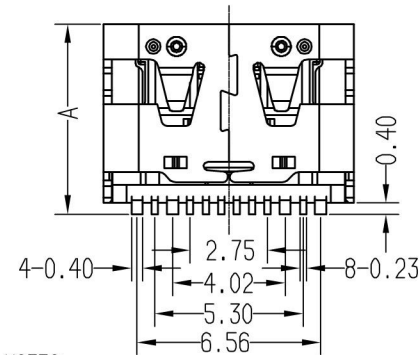
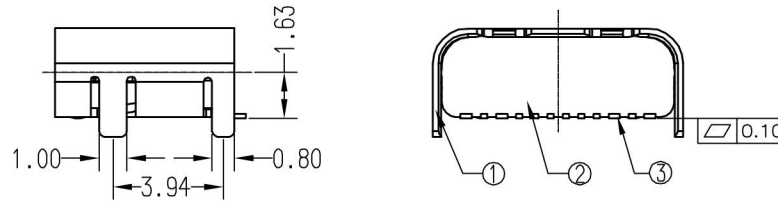
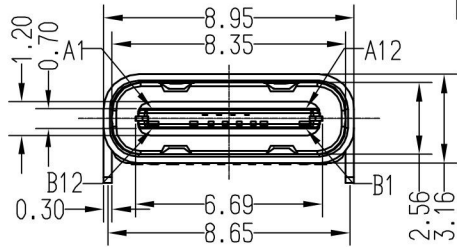
A1	A2	A3	A4	A5	A6	A7	A8	A9	A10	A11	A12
GND	/	/	V _{BUS}	CC1	D+	D-	SBU1	V _{BUS}	/	/	GND
GND	/	/	V _{BUS}	SBU2	D-	D+	CC2	V _{BUS}	/	/	GND
B12	B11	B10	B9	B8	B7	B6	B5	B4	B3	B2	B1

PIN ASSIGNMENT:

Pin No.	A1&B12	A5	A4&B9	A6	B8	B7	B6	B5	A7	A9&B4	A8	A12&B1
Signal Name	GND	CC1	V _{BUS}	D+	SBU2	D-	D+	CC2	D-	V _{BUS}	SBU1	GND
PCB PAD No.	C1	C2	C3	C4	C5	C6	C7	C8	C9	C10	C11	C12



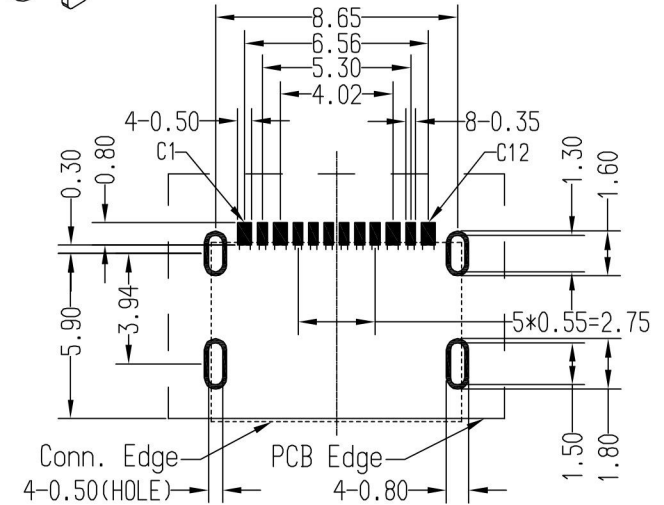
Rev.	ECN No.	DESCRIPTION
X6	2016/08/26	Update
X7	2016/12/06	Update
X8	2016/12/08	Update



PRODUCT NO.: C.LK.11 2 - 16 * * - 0 2 4

Prefix Code: C.LK.11
 Series Code: 2
 USB Type C Conn.
 Connector Type: 2: Receptacle
 Pin Number 16: 16Pin
 Plating 1: Gold flash
 2: 15u" Au
 3: 30u" Au

Lead Free Code: 4=Halogen Free
 Package Code: 2=Tap/Reel
 Body&Terminal Type: Right Angle&SMT
 Extension Code: 0 2 4



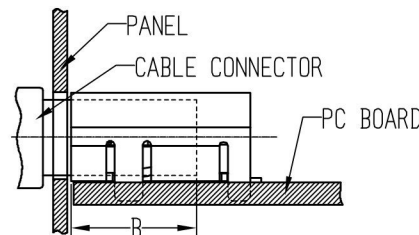
RECOMMENDED P.C.B LAYOUT (COMPONENT SIDE)

PCB THICKNESS: 0.80±0.05mm
 DEFAULT TOLERANCE: ±0.05mm

NOTES:

- ELECTRICAL CHARACTERISTICS:
 - CONTACT CURRENT RATING:
5.0A FOR V_{BUS} PIN AND GND PIN.
0.25A MIN FOR ALL OTHER TERMINALS.
 - CONTACT RESISTANCE:
30MILLIOHM MAX FOR V_{BUS} AND GND CONTACTS.
50MILLIOHM MAX FOR ALL OTHER CONTACTS.
 - DIELECTRIC WITHSTANDING VOLTAGE: 100 VRMS AC MIN.
 - INSULATION RESISTANCE: 100 MEGOHMS MIN.
- MECHANICAL CHARACTERISTICS:
 - CONNECTOR INSERTION FORCE: 5~20N.
AT A MAXIMUM RATE OF 12.5MM PER SECOND.
 - CONNECTOR EXTRACTION FORCE: 8~20N.
AT A MAXIMUM RATE OF 12.5MM PER SECOND.
 - DURABILITY: 10000 CYCLES.
 - OPERATING TEMPERATURE: -55° C TO +85° C.
- RECOMMENED PROCESS: IR REFLOW 260° C, 3~5SECONDS.
- THE CONNECTOR IS RoHS COMPLIANT.

PART No.	Dim A	Dim B
C.LK.112-16*1-024	6.50	4.40



RECESSED MOUNTING CONFIGURATION

ITEM: USB3.1 TYPE-C 10PF-074

③	CONTACT	12	COPPER ALLOY	
②	PLASTIC	1	THERMOPLASTIC UL 94V-0	MOLDED COLOR: BLACK.
①	SHELL	1	STAINLESS STEEL	TAB WITH LEAD FREE TIN ALLOY.
NO.	DESCRIPTION	QTY	MATERIAL	TREATMENT

TOLERANCES UNLESS OTHERWISE SPECIFIED				RUI CHI			
X.	/	.XXX	/	SERIES: USB TYPE C		TITLE: ALT-BS16-TYPEC002	
.X	±0.38	X.°	±1°	APPD: Bel 2016/12/08		PART No.: ALT-BS16-TYPEC002	
.XX	±0.25	.X°		CKD: Bruce 2016/12/08		DWG No.: ALT-BS16-TYPEC002	
				DR: John 2016/12/08			
UNITS MM		MAT'L /		FINISH /		SCALE FULL	
				SHEET 1/1		REV. X8	