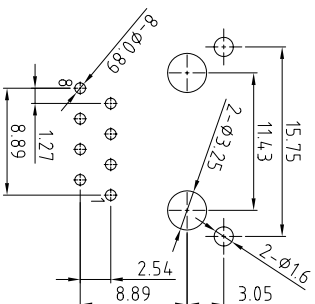
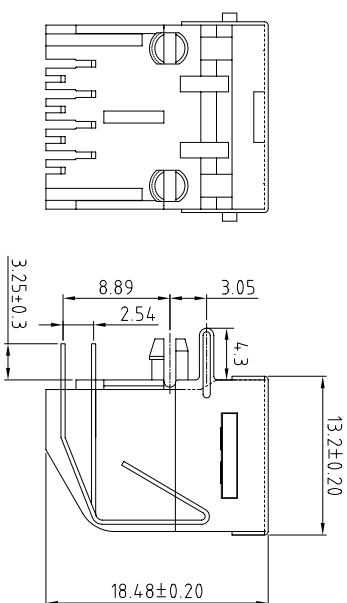
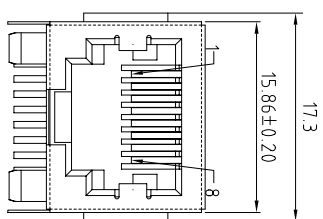


REVISION RECORD			
REV	EQ	DESCRIPTION	DRFT



PC Board Layout  
Component Side Shown

NOTES:

MATERIAL:

- 1.HOUSING MATERIAL
- 2.CONTACT MATERIAL
- 3.PLATING

ELECTRICAL:

- 1.VOLTAGE RATING :125 VAC RMS.
- 2.CURRENT RATING :15 AMP.
- 3.CONTACT RESISTANCE :30 MILLIOHMS MAX.
- 4.INSULATION RESISTANCE :500 MEGOHMS MIN @ 500V DC.
- 5.DIELECTRIC WITHSTANDING RESISTANCE :1000V AC RMS 50Hz. 1MIN.

MECHANICAL:

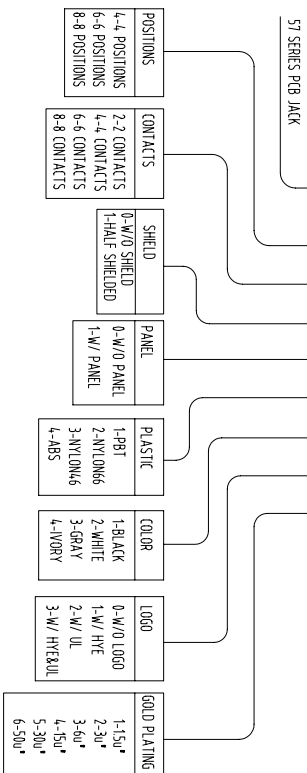
- 1.DURABILITY :750 CYCLES MIN.
- 2.PCB RETENTION PRE-SOLDER :1 LB MIN.

ENVIRONMENTAL:

- 1.STORAGE : -40°~+85°
- 2.OPERATION : -40° C TO 70° C.

PART NUMBER:

HY57B X X-X X X X X X X



PTO	JUNK	DATE	20070311
CHKD	DATE		
ENG	DATE		
APPRV	DATE		
TITLE			
57B SERIES PCB JACK			
DRAWING NO		SIZE	REV
/PART NO		A3	A/1
DO NOT SCALE DRAWING			
SHEET	X	OF	Y

MM	INCH
0.1	0.00
0.2	0.05
0.5	0.01
1.0	0.01

ANGLES = 80°

THIRD ANGLE PROJECTION

DETACHED LISTS

TOLERANCES EXCEPT AS NOTED

SCALE :

8 7 6 5 4 3 2 1

A B C D E F G H