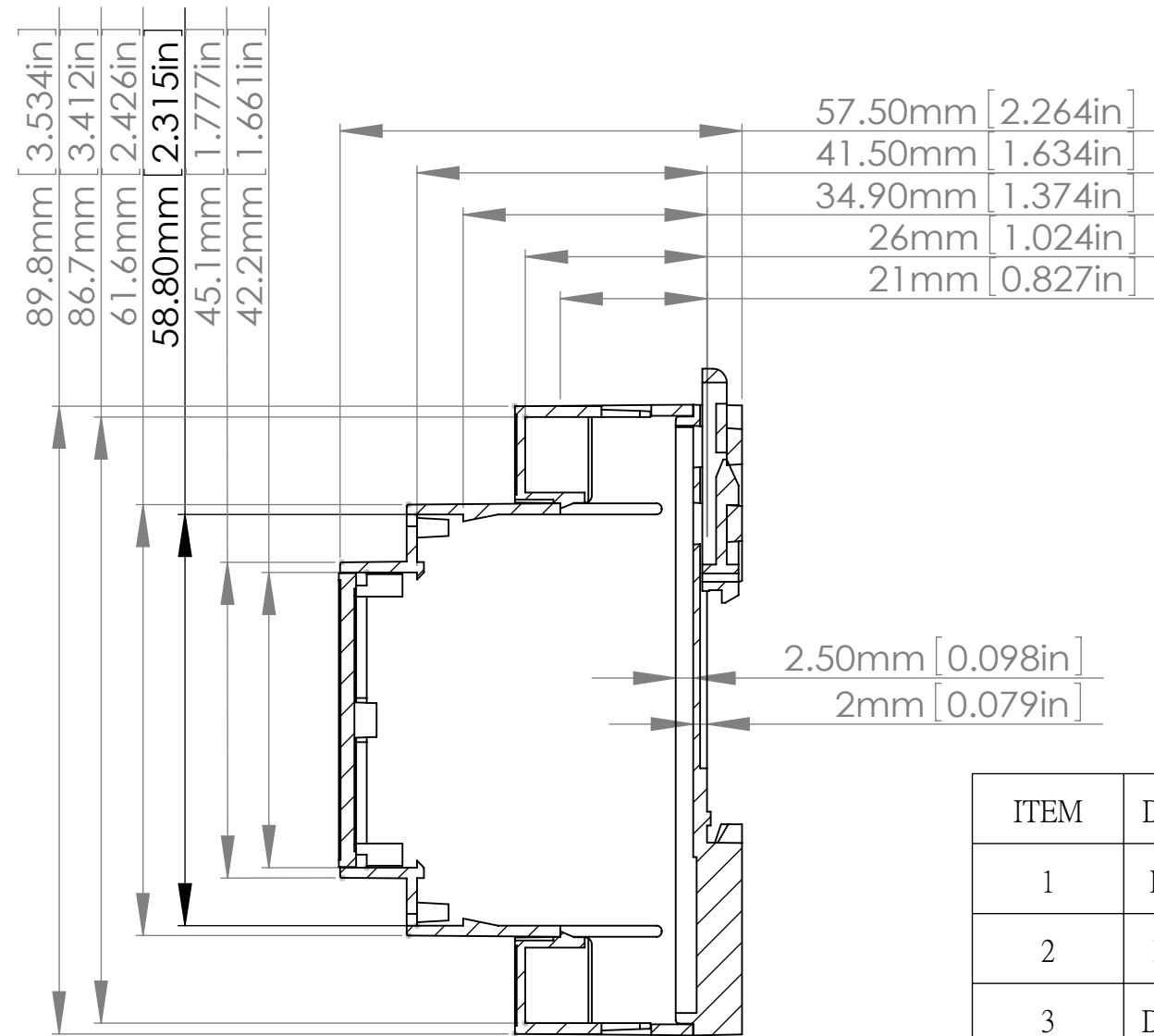
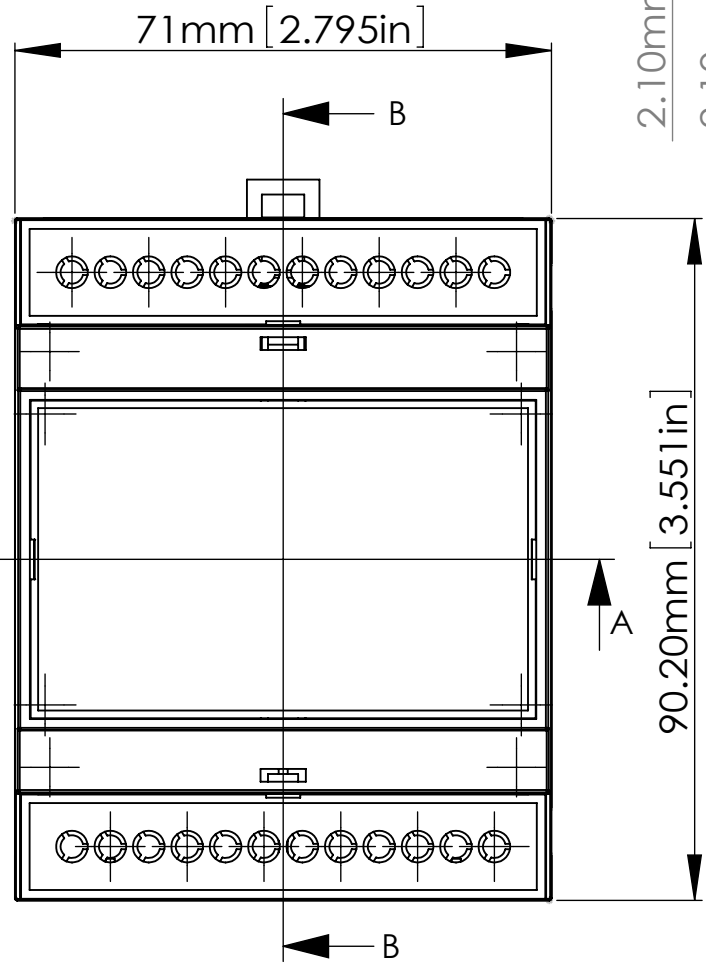
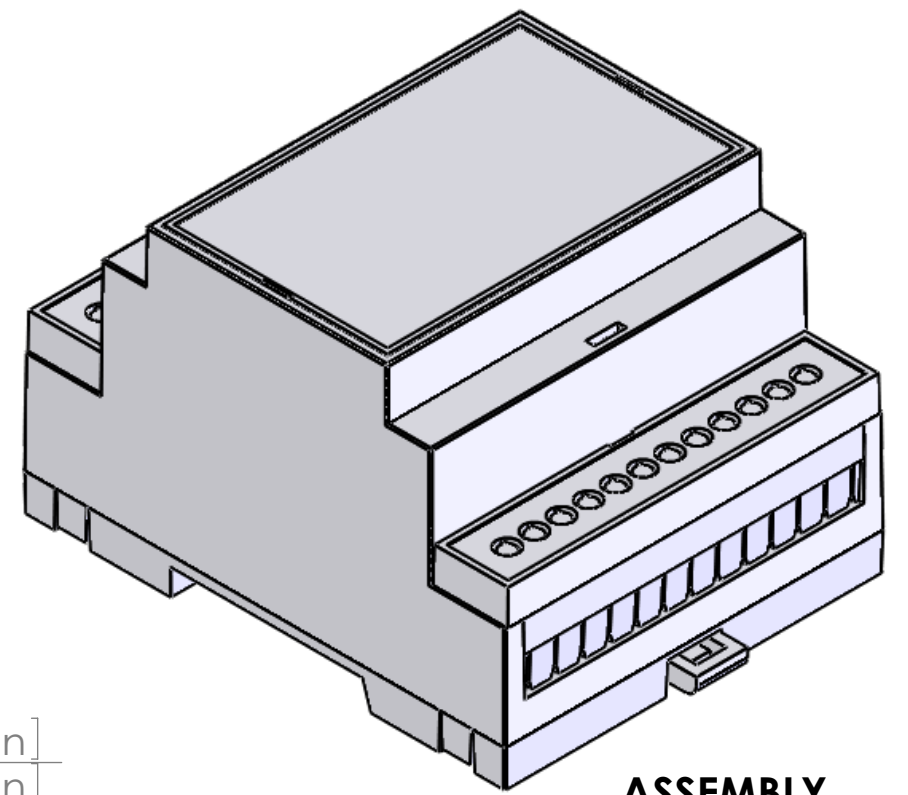


SECTION A-A
SCALE 1 : 1



SECTION B-B
SCALE 1 : 1



ASSEMBLY

ITEM	DESCRIPTION	MATERIAL	COLOUR	UNIT
1	D4MG-BODY	PC/ABS(UL94-V0)	GREY	1
2	D4MG-BASE	PC/ABS(UL94-V0)	GREY	1
3	D4MG-COVER	PC/ABS(UL94-V0)	GREY	1
4	D4MG-GUARD	PC/ABS(UL94-V0)	GREY	2
5	D4MG-WALL CLIP	NYLON66(UL94-V0)	DARK GREY	1

宣又實業有限公司
GAINTA INDUSTRIES LTD.

繪圖 DRA'D BY
JACKY

日期 DATE
2010/4/15

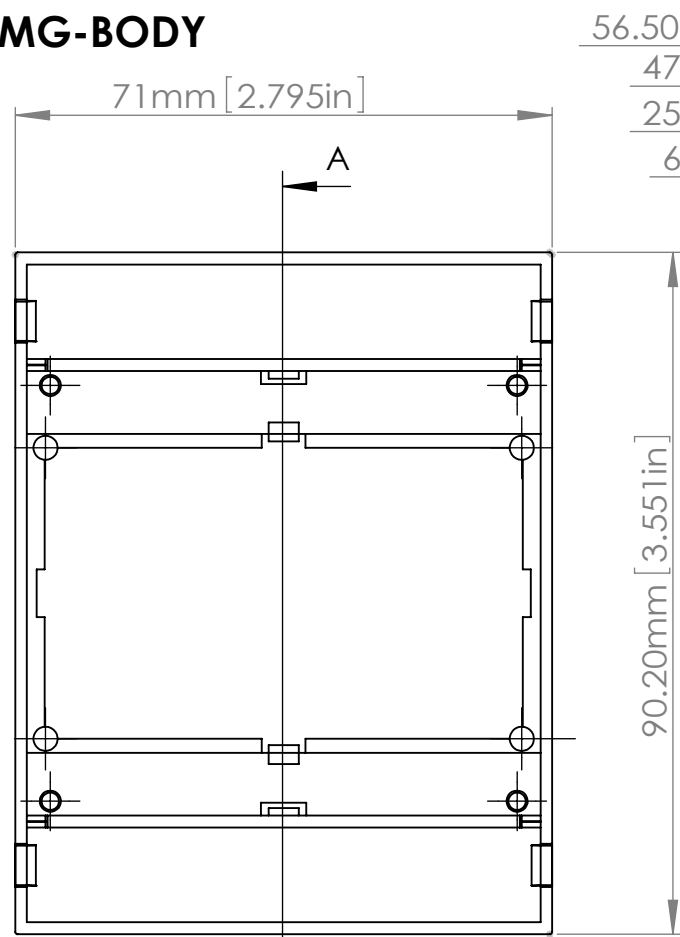
材質 MATE.
PC/ABS(UL94-V0);
NYLON66(UL94-V0)

圖名TITLE:
D4MG-ASSEMBLY

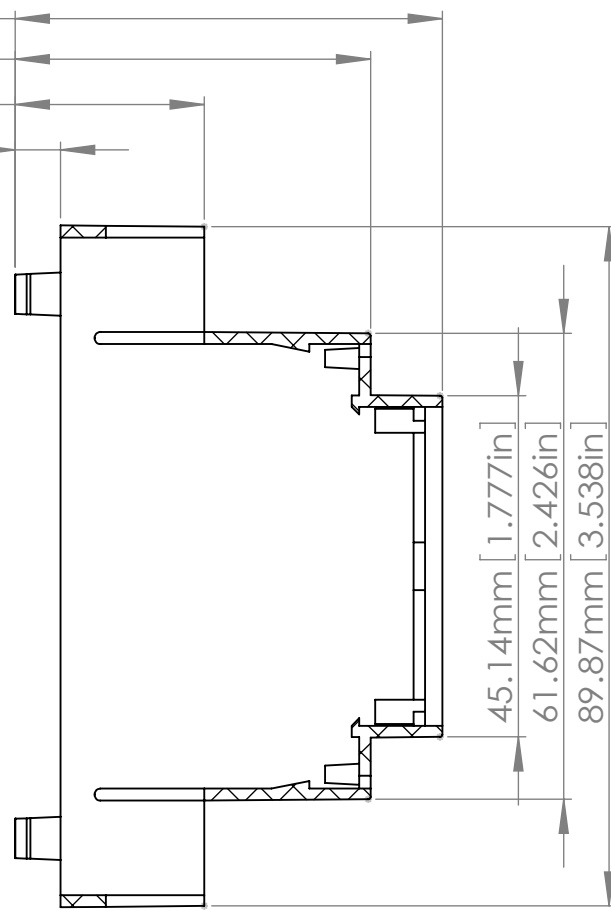
圖號DWG NO:

版次REVISID:
A

D4MG-BODY

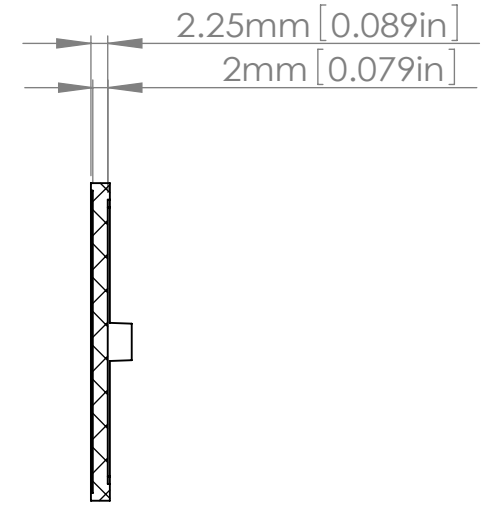
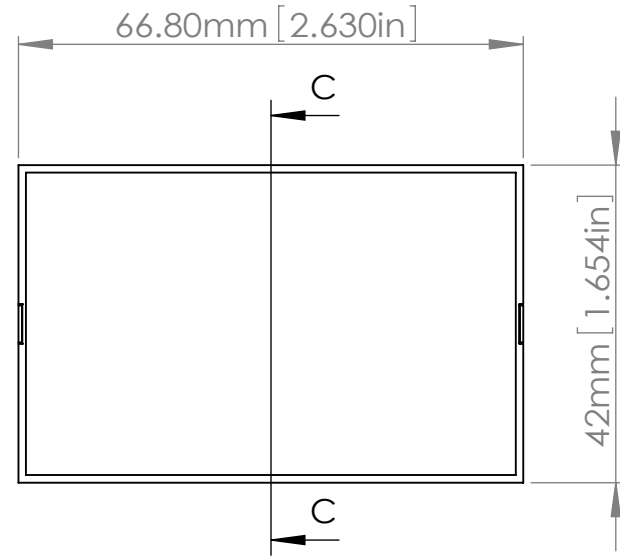


56.50mm [2.224in]
47mm [1.850in]
25mm [0.984in]
6mm [0.236in]



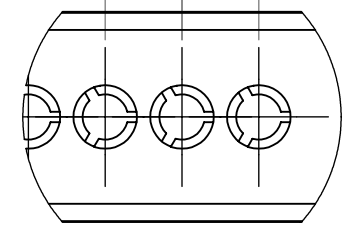
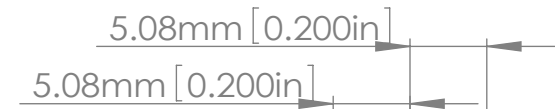
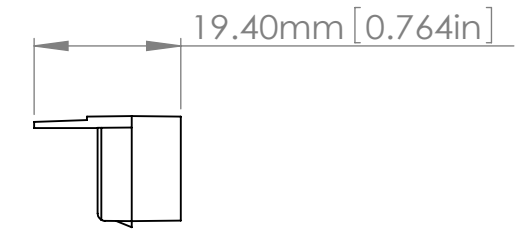
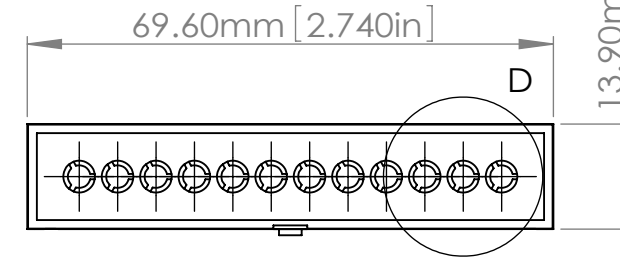
SECTION A-A
SCALE 1 : 1

D4MG-COVER



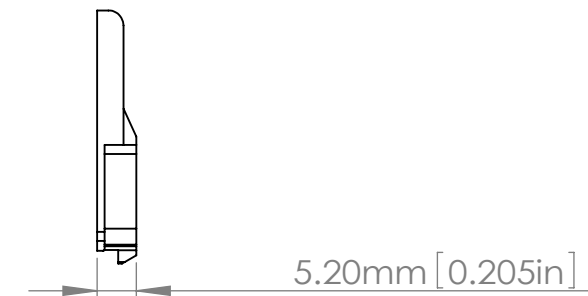
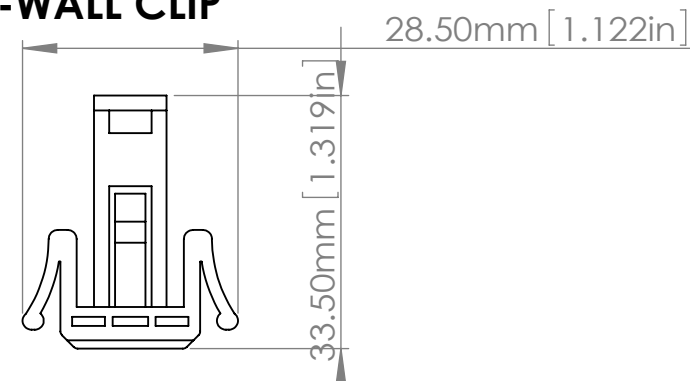
SECTION C-C
SCALE 1 : 1

D4MG-GUARD

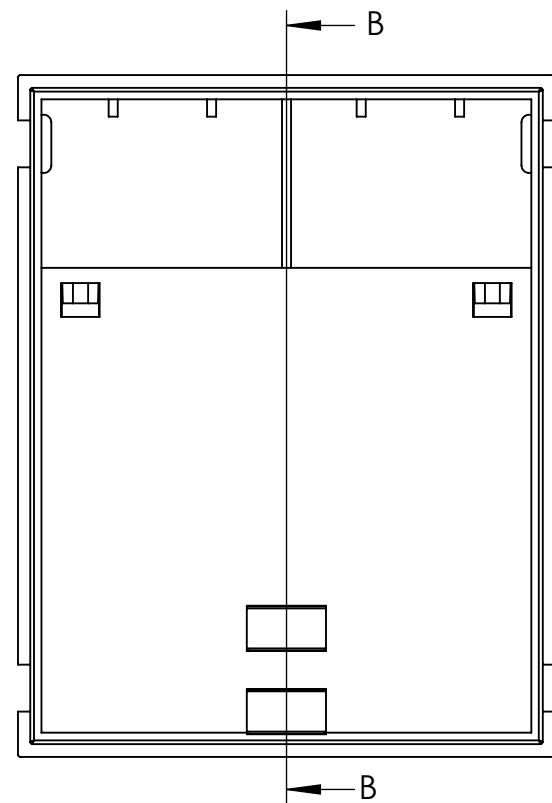


SECTION D
SCALE 1 : 1

D4MG-WALL CLIP



D4MG-BASE



9.50mm [0.374in]
7.30mm [0.287in]

SECTION B-B
SCALE 1 : 1

宣又實業有限公司
GAINTA INDUSTRIES LTD.

繪圖

DRA'D BY

日期

DATE

材質

MATE.

圖名TITLE:

圖號DWG NO:

版次REVISID:

JACKY

2010/4/15

PC/ABS(UL94-V0);
NYLON66(UL94-V0)

D4MG-PART

A