

REVISION RECORD

REV	ECN	DESCRIPTION	DRFT	DATE
-----	-----	-------------	------	------

NOTES1:

UL Standard

- Rated voltage/current : 300V / 15A
- Withstanding voltage : AC1600V/1Min.
- Torque value : M3 , 4.43Lb.in
- Wire range : 24~12AWG

IEC Standard

1. Pollution degree	2	2	3
Overtoltage category	II	III	III
Rate impulse voltage(KV)	4.0KV	4.0KV	4.0KV
Rate voltage(V)	630V	320V	320V
Rate current(A)	15A		

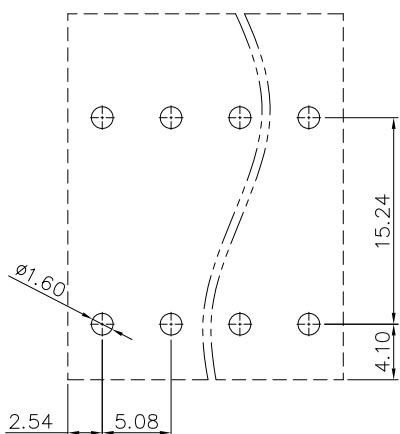
- Torque value : M3 , 0.5N·m
- Wire range : 0.2~2.5mm<sup>2</sup>(STR)  
0.2~4.0mm<sup>2</sup>(SOL)

NOTES2:

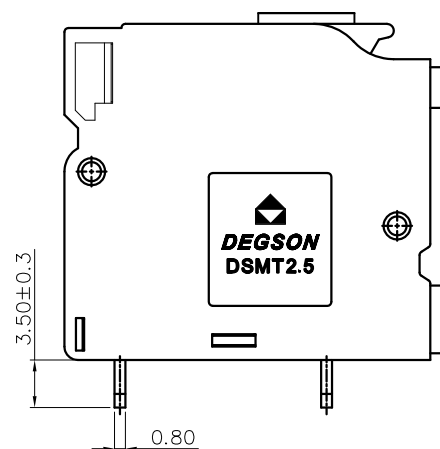
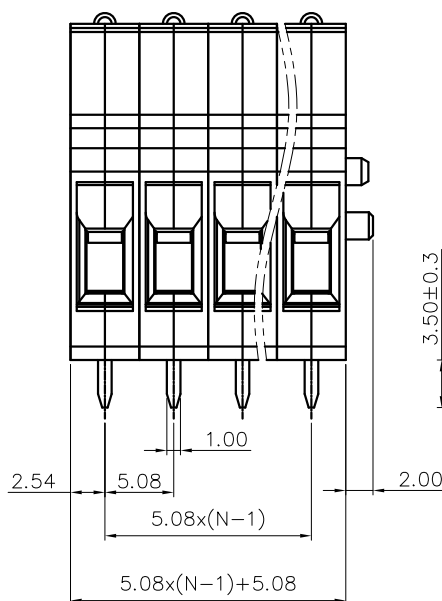
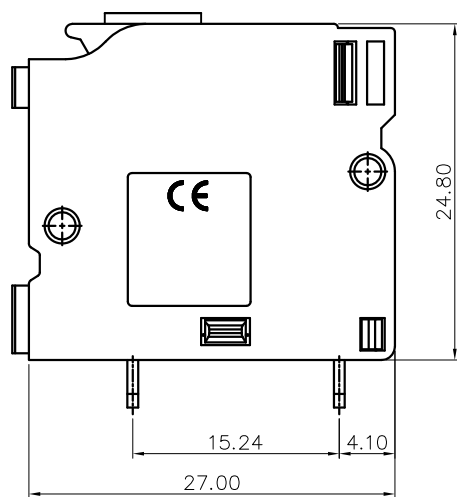
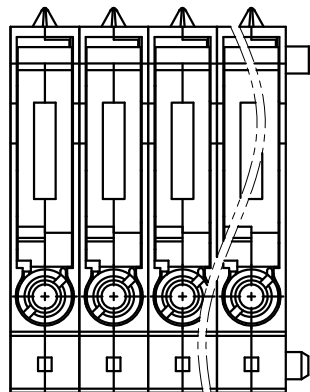
- Dimension shall be interpreted per ASME Y14.5-2009
- Pitch : 5.08mm, Poles : N=01~XXP
- Stripping length : 8mm
- Operating temperature: -40°C~+105°C
- Undimensioned tolerances:

Pitch range in mm	Nominal dimension range in mm						0.1/10	
	Over 6 TO 10	Over 10 TO 24	Over 30 TO 60	Over 60 TO 100	Over 100 TO 150	Over 150		
±0.15	±0.20	±0.30	±0.30	±0.50	±0.70	±1.00	±1.30	±2'

- RoHS Compliance



PCB LAYOUT



DSMT2.5 - 5.08 - XXP - 1Y - 00A (H)  
 (Series No.) (Pitch) (Poles) (Single Pitch)  
 (Color): 1.(Grey) 2.(Blue) 3.(Black) 4.(Green) 5.(Orange)  
 6.(Red) 7.(Transparent) 8.(Yellow) 9.(White)  
 (RoHS)  
 00A-(Standard)

DETACHED LISTS	PART NO.:	/		
	APPD:	NAME: NINGBO DEGSON ELECTRICAL CO., LTD		
	CHKD:	DSMT2.5-5.08-XXP-1Y-00A(H)		
	DRFT:	TITLE: CUSTOMER DRAWING	REV	DO
THIRD ANGLE PROJECTION		DRAWING NO.:	/	SHEET 1/1
		MM (INCH)	DO NOT SCALE DRAWING	SCALE 1:1