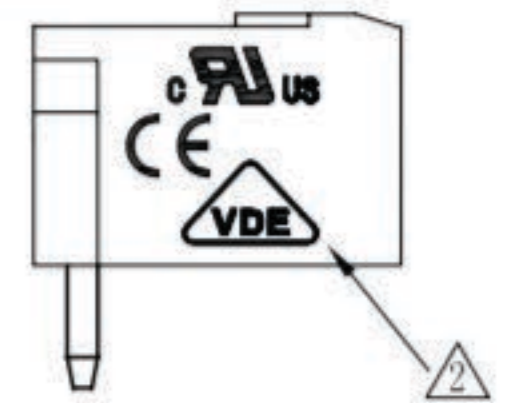
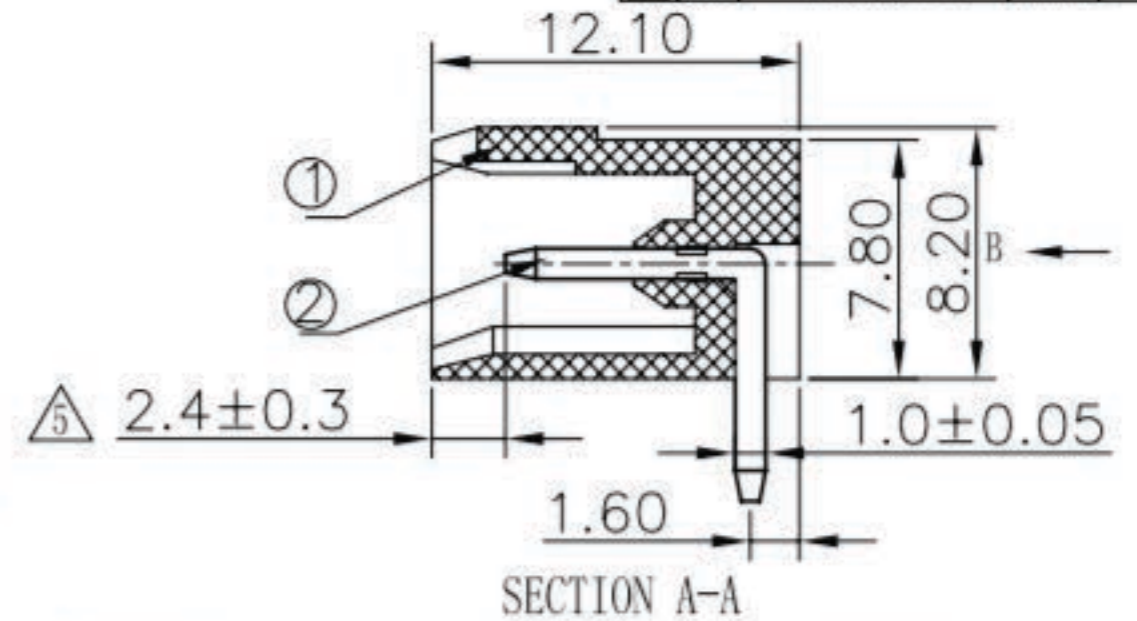
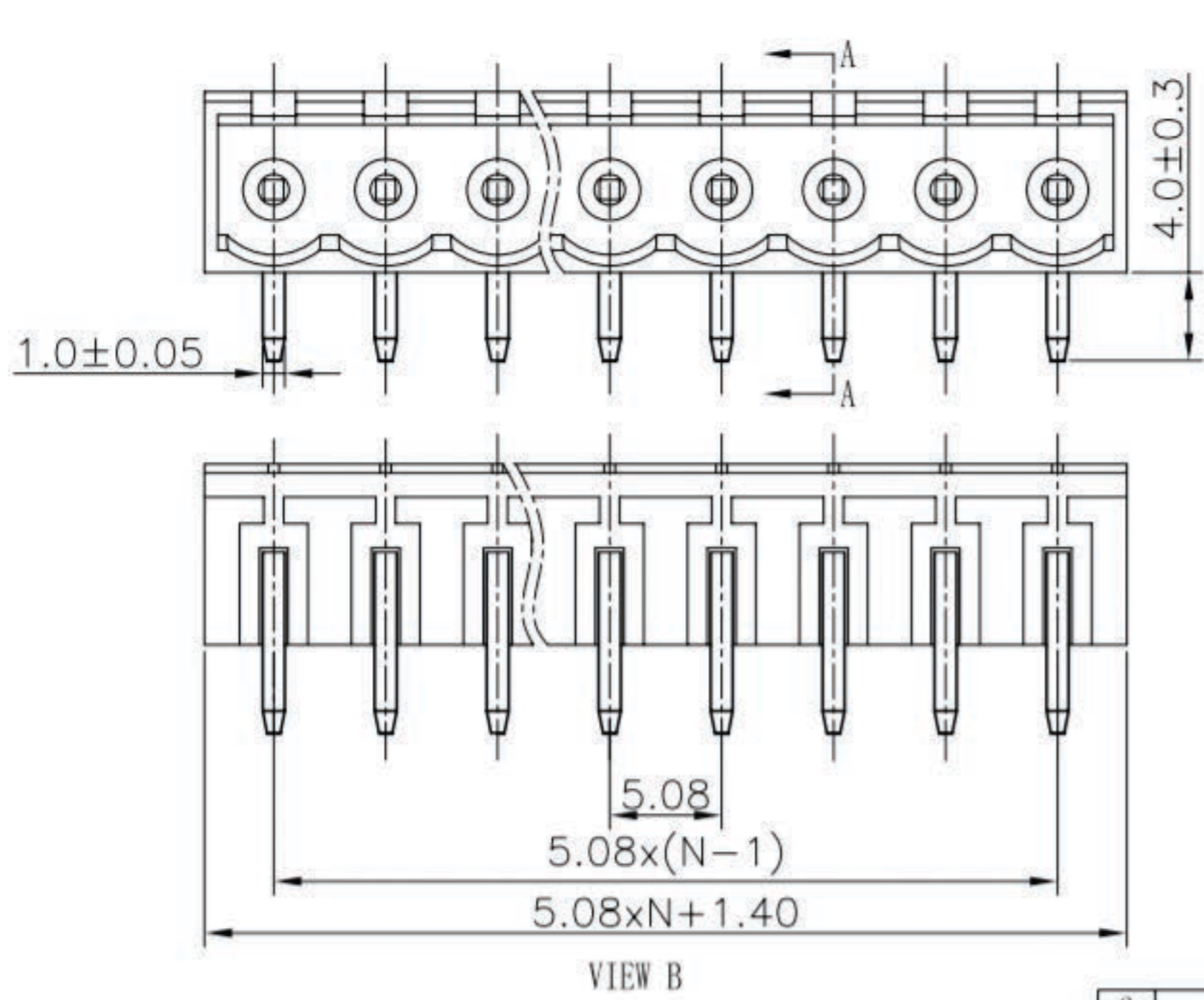


REVISION RECORD				
REV	ECO	DESCRIPTION	DRFT	DATE
△		Drawing emend	CSX	04/21/06
△		增加VDE、CE刻字	YeJ	02/27/08
△		图面更新	YeJ	03/28/08
△		增加自动化方针	WLM	09/23/08
△	10-009	增加标注尺寸	COCO	10/04/10



- Notes:
- Pitch: 5.08mm, poles: 2-24p
  - Rated voltage/current: UL 300V/15A  
VDE 320V/20A
  - Operation temperatures: -40° C ~ +105° C
  - Withstanding voltage: AC2000V/1min
  - Insulation resistance: 5000MΩ/DC1000V
  - Undimensioned Tolerances:

Pitch range in mm		Nominal dimension range in mm							
	over 6	over 10		over 30	over 60	over 100	over 150	—	
to 6	to 10	to 24	to 30	to 60	to 100	to 150		□	
±0.10	±0.15	±0.25	±0.2	±0.3	±0.5	±0.7	±1.0	0.05/10	

ITEM	NAME OF PART	NO. OF PART	Q'TY	MATERIAL	NOTES
2	2EDGR-Pin header	△1008B00120 (H)	XX	Brass	Automatic assembly
2	2EDGR(A) Pin header	1008B00040 (H)	XX	Brass	Manual assembly
1	2EDGRC-5.08-Housing	1009A0YXXA (H)	I	PA66	UL94V-0

MM (INCH)	DFTO HW	DATE 08/23/05*	宁波高正电子有限公司 DEGSON ELECTRONICS CO., LTD
TOLERANCES EXCEPT AS NOTED	CHKD	DATE	
	MFO	DATE	
MM	APPL	DATE	NAME
0 ±			2EDGRC-5.08-XXP-1Y-00A(H)
.00 ±			DRAWING NO. 2EDGRC-5.08-E06
.000 ±			/PART NO.
ANGLES ± 1'	G.E :		SIZE A3
THIRD ANGLE PROJECTION	FINISH :		REV T5
	SCALE : 1:1		10/04/10
			DO NOT SCALE DRAWING
			SHEET 1 OF 1