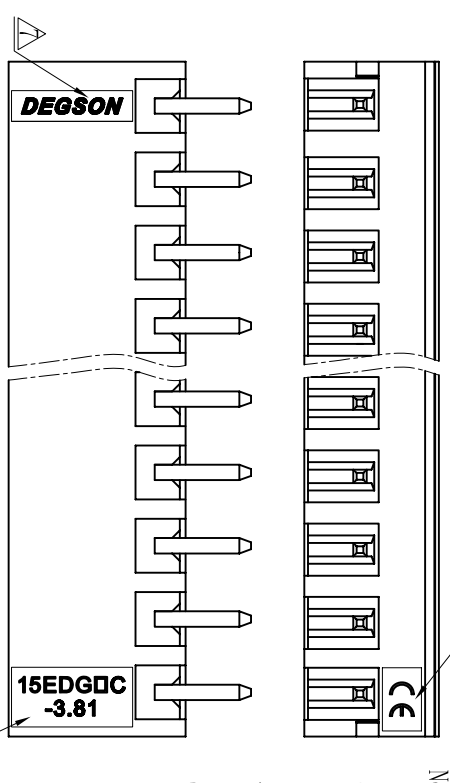
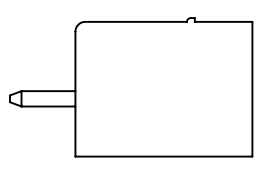
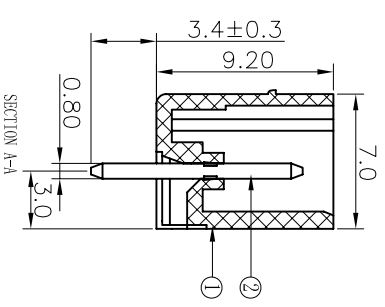
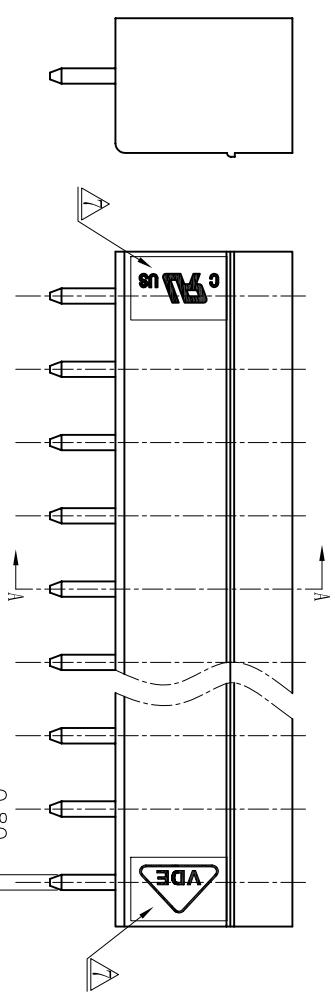
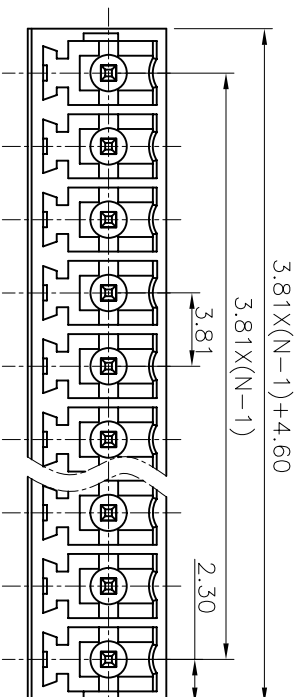


REVISION RECORD			
REV	ECO	DESCRIPTION	DRFT DATE
△		Drawing amend	WR 05/07/06*
△		去掉U中的小“R”字	CSX 09/17/07*
△		更新图面	LJH 03/01/08*
△		老模新开更改刻字	WLM 07/12/08*
△		增加自动化方针	WLM 10/31/08*
△		增加DDE, 雕刻字及修改刻字	ZengY 12/26/08*
△		工程变更2-6取消卡槽	XGF 04/11/09*



Notes:

1. Pitch: 3.81mm , Poles: 2-24P
2. Rated voltage/current: UL 300V/8A VDE 250V/7A
3. Operation temperatures: -40℃~+105℃
4. Withstanding Voltage: AC2000V/1min
5. Insulation Resistance: 5000MΩ/DC1000V
6. Undimensioned Tolerances:

Pitch range in mm	Nominal dimension range in mm	
over 6	over 30	over 100
to 10	to 60	to 150
to 24	to 30	to 100
	to 60	to 150
±0.10	±0.15	±0.25
		±0.3±0.5±0.7±1.0/0.005/10

1	15EDGC-3.81-Housing	1003A0YXXA(H)	1	PA66	UL94V-0								
ITEM	NAME OF PART	NO. OF PART	Q'TY	MATERIAL	NOTES								
<table border="1"> <tr> <td>DRTO Zhuzhen</td> <td>DATE 07/24/04</td> </tr> <tr> <td>CHKD</td> <td>DATE</td> </tr> <tr> <td>MFO</td> <td>DATE</td> </tr> <tr> <td>APPL</td> <td>DATE</td> </tr> </table>						DRTO Zhuzhen	DATE 07/24/04	CHKD	DATE	MFO	DATE	APPL	DATE
DRTO Zhuzhen	DATE 07/24/04												
CHKD	DATE												
MFO	DATE												
APPL	DATE												
<table border="1"> <tr> <td>DEGSON</td> <td>宁波高正电子有限公司</td> </tr> <tr> <td>DEGSON</td> <td>DEGSON ELECTRONICS CO., LTD</td> </tr> </table>						DEGSON	宁波高正电子有限公司	DEGSON	DEGSON ELECTRONICS CO., LTD				
DEGSON	宁波高正电子有限公司												
DEGSON	DEGSON ELECTRONICS CO., LTD												
NAME: 15EDGC-3.81-XXP-1Y-00A(H)													
DRAWING NO. 15EDGC-3.81-ED3													
/PART NO.													
DO NOT SCALE DRAWING													

2	15EDGC-Pin header	△1002B00060(H)	XX	Brass	Automatic assembly
2	15EDGC-Pin header	1002B00010(H)	XX	Brass	Manual assembly