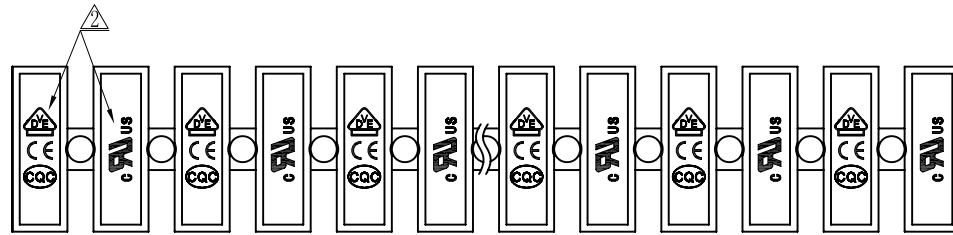
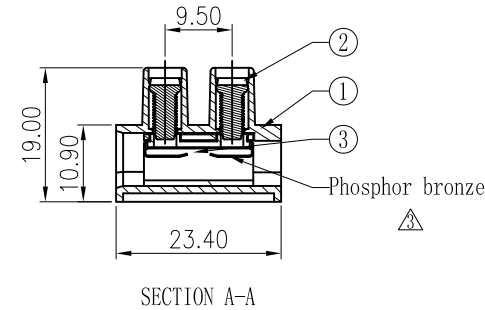
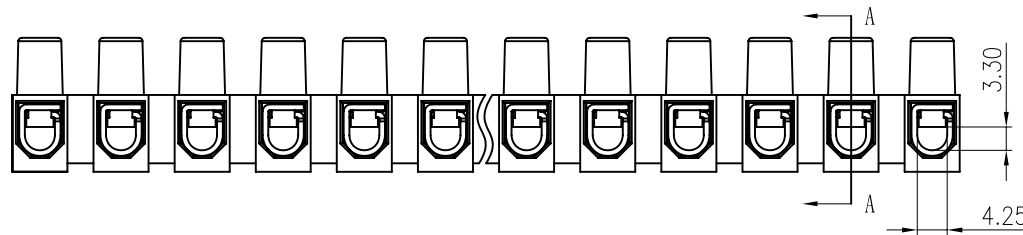
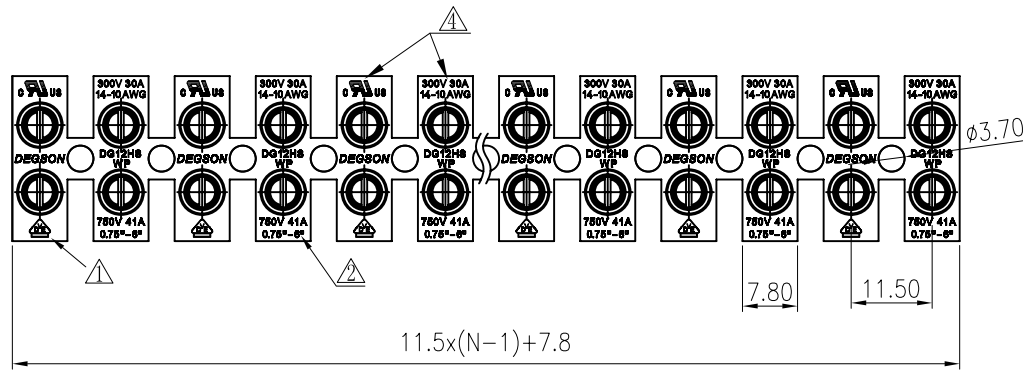


REVISION RECORD				
REV	ECN	DESCRIPTION	DRFT	DATE
△		增加VDE刻字	LIN	02/17/09*
△		修改刻字	Zengy	06/30/09*
△	09-0075	增加弹片材质备注	LJH	10/05/09*
△	10-0126	增加UL刻字及参数	Lasting	08/09/10*



Notes:

1. Pitch:11.5mm ,Poles:2-12P
2. Rated voltage/current:UL 300V/30A
VDE 750V/41A
3. Operation temperatures:-40°C~+105°C
4. Withstanding Voltage:AC3000V/1min
5. Insulation Resistance:5000MΩ/DC1000V
6. Wire Range:14~10AWG, 0.75~6mm²
7. Max. Torque Value:M3. 5, 8. 16kgf. cm
8. Undimensioned Tolerances:

Pitch range in mm		Nominal dimension range in mm					
	over 6	over 10	over 30	over 60	over 100	over 150	∩
to 6	to 10	to 24	to 30	to 60	to 100	to 150	∇
±0.10	±0.15	±0.25	±0.2	±0.3	±0.5	±0.7	±1.0
							0.05/10

3	DG12HS Current carrier	X000003290 (H)	XX	Steel+ Phosphor bronze	Cr ³⁺ Zn												
2	DG12H Screws M3. 5	S000001190 (H)	2*XX	Steel	Cr ³⁺ Zn												
1	DG12HS-1.2 HOUSING	2050A0YXXA (H)	1	PA66	UL94V-2												
ITEM	NAME OF PART	NO. OF PART	Q'TY	MATERIAL	NOTES												
<table border="1"> <tr> <td>MM (INCH)</td> <td>DF TO LIN</td> <td>DATE 04/30/08*</td> </tr> <tr> <td>CHKD</td> <td>DATE</td> <td></td> </tr> <tr> <td>MFD</td> <td>DATE</td> <td></td> </tr> <tr> <td>APVVL</td> <td>DATE</td> <td></td> </tr> </table>		MM (INCH)	DF TO LIN	DATE 04/30/08*	CHKD	DATE		MFD	DATE		APVVL	DATE		宁波高正电子有限公司 DEGSON ELECTRONICS CO., LTD			
MM (INCH)	DF TO LIN	DATE 04/30/08*															
CHKD	DATE																
MFD	DATE																
APVVL	DATE																
<table border="1"> <tr> <td>MM</td> <td>±</td> </tr> <tr> <td>.0 ±</td> <td>±</td> </tr> <tr> <td>.00 ±</td> <td>±</td> </tr> <tr> <td>.000 ±</td> <td>±</td> </tr> </table>		MM	±	.0 ±	±	.00 ±	±	.000 ±	±	NAME: DG12HSWP-1.2-XXP-1Y-100A(H)							
MM	±																
.0 ±	±																
.00 ±	±																
.000 ±	±																
ANGLES ± 1°		G.E :		DRAWING NO. DG12HSWP-1.2-E01													
		FINISH:		/PART NO.													
THIRD ANGLE PROJECTION		SCALE :		DD NDT SCALE DRAWING													
				SIZE A3	REV T4 08/09/10*												
				SHEET 1	OF 1												