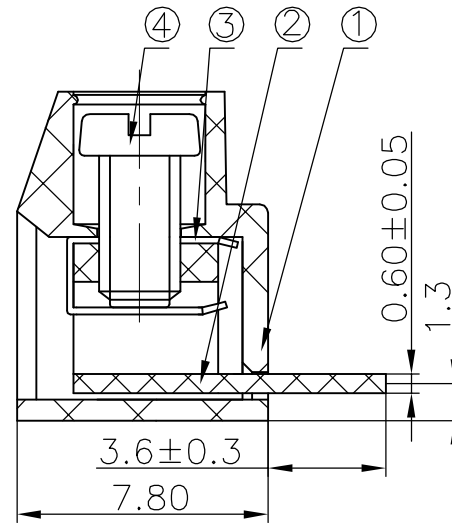
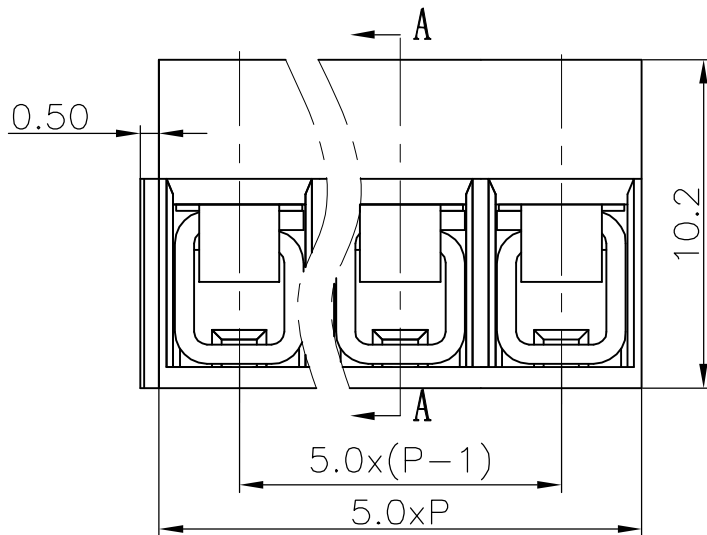
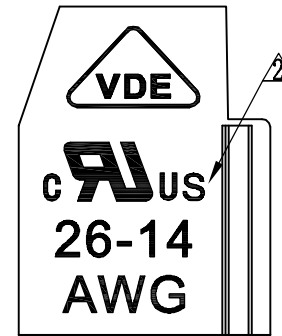
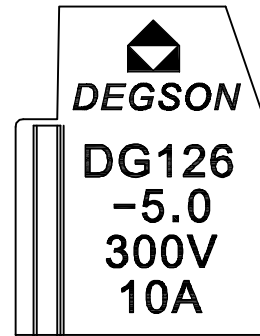
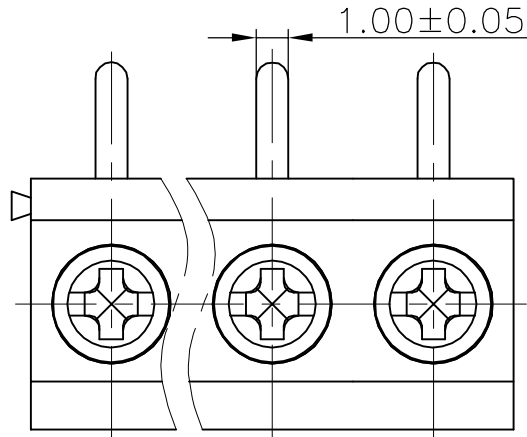


REVISION RECORD				
REV	ECO	DESCRIPTION	DRFT	DATE
△		Drawing Revise	Haoyh	03/20/06
△		增加UL刻字	CSX	12/15/06
△		品名、料号增加环保标示“(H)”	CSX	12/10/07



Notes:

- Pitch: 5.0mm
- Rated voltage/current: UL 300V/10A
VDE 250V/10A
- Operation temperatures: -40°C ~ +105°C
- Withstanding Voltage: AC1500V/1min
- Insulation Resistance: 5000MΩ / DC1000V
- Wire Range: 26~14AWG, 1.5mm²
- Max. Torque Value: 4.08kgf.cm
- Undimensioned Tolerances:

Pitch range in mm		Nominal dimension range in mm						
to	over	to	over	to	over	to		
6	10	6	10	30	60	100	150	∩
±0.10	±0.15	±0.25	±0.2	±0.3	±0.5	±0.7	±1.0	0.05/10

4	DG126*+Screws-M2.5	S000001510 (H)	XX	Steel	Cr Zn
3	DG306-Spring	X000000160 (H)	XX	Stainless Steel	
2	DG126R-Pin header	4020B00010 (H)	XX	Brass	SnCe

ITEM	NAME OF PART	NO. OF PART	Q'TY	MATERIAL	NOTES
1	DG126R-5.0-Housing	4020A0YXXA (H)	1	PA66	UL94V-0

MM (INCH)	DFTO Zhjwmm	DATE 07/18/04
TOLERANCES EXCEPT AS NOTED	CHKD	DATE
	MFO	DATE
MM	APPVL	DATE
.0 ±		
.00 ±		
.000 ±		
MATERIAL :		
ANGLES ± 1°	G.E :	
THIRD ANGLE PROJECTION	FINISH :	
	SCALE : 1:1	

DEGSON [®]		宁波高正电子有限公司 DEGSON ELECTRONICS CO., LTD	
NAME DG126R-5.0-XXP-1Y-00A(H)			
DRAWING NO. DG126R-5.0-E01			SIZE A3
/PART NO.			REV T3 12/10/07
DO NOT SCALE DRAWING		SHEET 1	OF 1