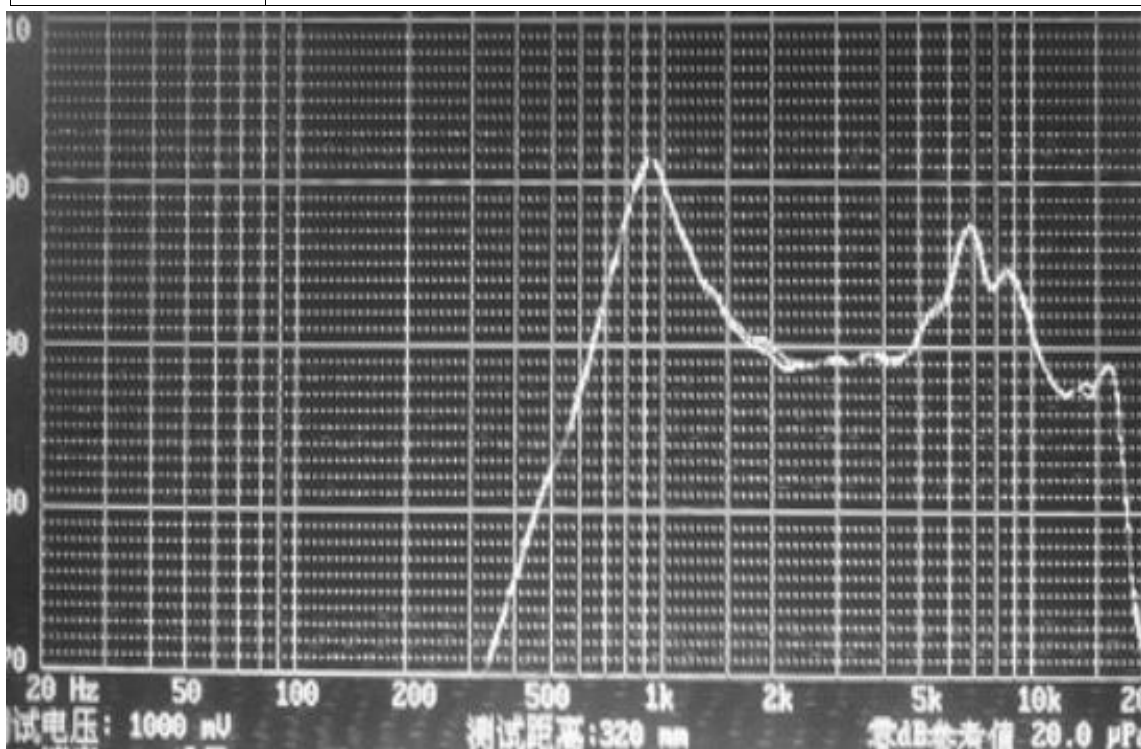


SPECIFICATION FOR APPROVAL

RUICHI	No	S1591
d=20MM 32 Ω 0.5W		Pages 1

1.General performance

Product model	Φ20 32 Ω 0.5W
Electric resistance	32±20% at 1 kHz
Sensitivity	95±3dB
Frequency response (F0)	1000Hz-1150Hz
Testing device	JH6160(R)
Voltage input	1.5V



2.Ambient performance

Operating temperature	-20°C o +50°C
Operating humidity	30%~75%RH (NO dew condensation)
Ambient temperature for storage	-20°C o +50°C
Ambient humidity for storage	20%~80% (Water vapor pressure 6643pa Max)
Storage life	1year

RUICHI

No

S1591

d=20MM 32 Om 0.5W

Pages 2

3. Reliability performance

	Item	Conditions	Performance requirement	Devices used
	High-temperature resistance	50°C ± 2°C 30h	No deformation	
	Low-temperature resistance	-20°C 30h	No deformation	
	Temperature shock	-20°C -50°C	No deformation	
	Humidity resistance	50 ± 2°C 80%30h	No deformation	
	Weldability	300 ± 5°C 3 ± 0.5s		
	Resistance to welding Heat	300 ± 5°C \2.5sec.		
	Vibration	Vibration: 10-45HZ; 1mm 10G; 10 ~ 45 ~ 10HZ; X, Y, Z Vibration 1h	Still can work properly	
	Drop	Height 75 ± 5CM Drop 2CM Wood board Three times		

RUICHI

No

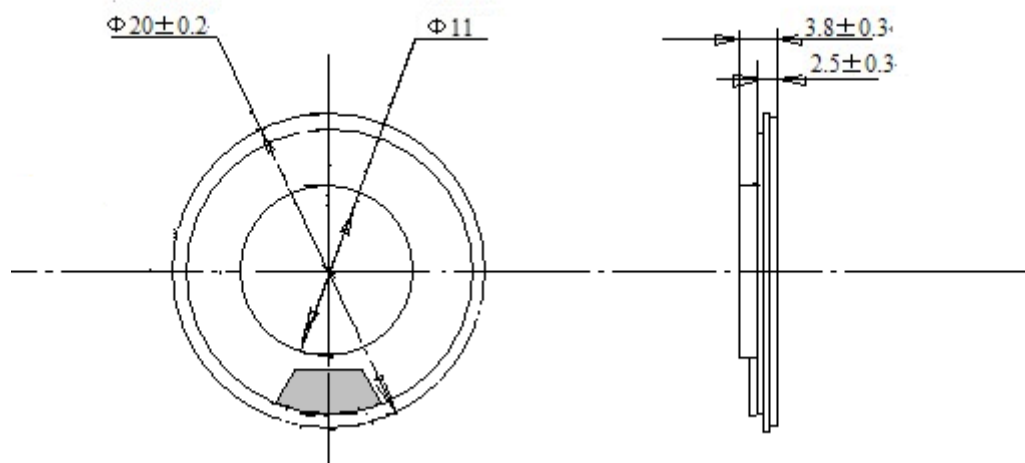
S1591

d=20mm 32 Om 0.5W

Pages 3

4: Physical dimension and performance

	(mm)
External diameter	20 ± 0.2 mm
Height	3.8 ± 0.2 mm



RUICHI	No	S1591
d=20MM 32 OM 0.5W		Pages 4

5, List of material

Material designation		Material composition	content (%)	note
Enclosure	HY000102	Sheet metal	65	
Metallic gasket	HY000003	Sheet metal	5	
Magnet	HY000058	Magnet	25	
Terminal board	HY000006	Copper	5	

6. Visual inspection criteria

		Rating of importance	Criteria	How to check	Criteria
Visual appearance	Soldering tin	A	G-II,AQL=0.25	By visual inspection	No fading.
	Enclosure	B	G-II,AQL=0.25	By visual inspection	No bad color distortion
	Product identification	B	G-II,AQL=0.01	By visual inspection	Legible writing

7. Welding temperature

300±5℃

8, Welding interval

2±0, 5S. $\Delta f/f < 10\text{ppm}$, $\Delta RS < 10\%$

RUICHI	No	S1591
d=20MM 32 Om 0.5W		Pages 5

9, Storage and operating conditions

- 1, Ambient temperature for storage: -20°C+50°C
- 2, Ambient humidity for storage: 20%-80%
- 3, Operating life: ≥ 1 year

10, Manufacturer

Product model: $\Phi 20$ 32 Ω 0.5W

Manufacturer: RUICHI

Packaging: Carton

Net weight: 15KG Gross weight: 16KG

11, Packaging

	SHIPPING MARK		
<u>Outer packing</u>	<u>Carton</u>		
<u>Inner packing</u>	<u>Foam box</u>		

- 1, Quantity per box: 200PCS
- 2, Quantity per carton: 2000PCS