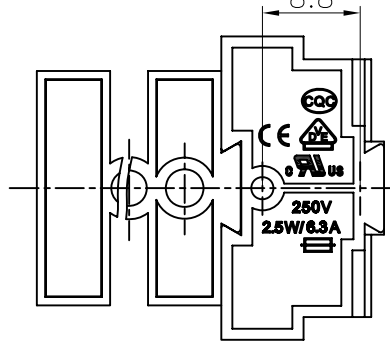
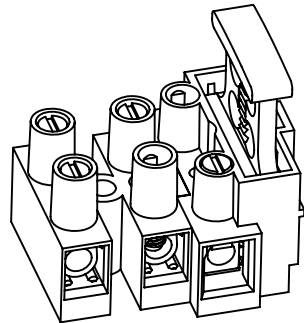
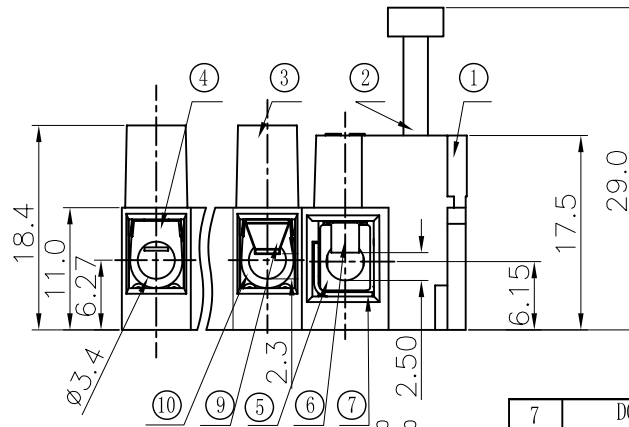


SECTION A-A



REVISION RECORD				
REV	ECN	DESCRIPTION	DRFT	DATE
△		增加CE和UL刻字	YeJ	05/14/07
△		依客户要求增加11.0尺寸标注	Hang	07/05/07
△		品名、料号加(H)	YeJ	03/21/08
△		增加VDE及CQC刻字	LJH	03/23/09
△		锌柱、螺丝工程变更	WLM	04/02/09
△	10-0138	薄片料号由“X000000230”改为“X000000260”	PengWu	05/21/10

Notes:

- Pitch:10.0mm , Poles:1-5P
- Rated voltage/current:UL 300V/6.3A
VDE 250V/6.3A
- Operation temperatures:-40℃~+105℃
- Withstanding Voltage:AC2000V/1Min
- Insulation Resistance:5000MΩ/DC1000V
- Wire Range:22~14AWG, 2.5mm²
- Max. Torque Value:M3, 5.10kgf.cm

ITEM	NAME OF PART	NO. OF PART	Q'TY	MATERIAL	NOTES
7	DG801-Clamp	X000000420 (H)	2	Phosphor Bronze	Ni plated
6	DG801-Spring	X000000190 (H)	2	Stainless Steel	
5	DG801 Brass Cage	X000000180 (H)	2	Brass	Ni plated
4	10HWP Current carrier	X000000050 (H) △	XX-2	Brass	Ni plated
3	DG801 Holder	2007A0Y (XX-1) A (H)	1	PA66	UL94V-0
2	DG801 Hand	2007D0301A (H)	1	PA66	UL94V-0
1	DG801 Base	2007C0Y01A (H)	1	PA66	UL94V-0

TOLERANCES EXCEPT AS NOTED MM (INCH) 0-30 ± 0.25 30-60 ± 0.30 60-100 ± 0.50 100-150 ± 0.70 150-1 ± 1.00	DFTO: ZhuWu DATE 05/19/06* CHKD: DATE MFO: DATE APPVL: DATE	宁波高正电子有限公司 DEGSON ELECTRONICS CO., LTD		
	NAME (NEW) DG801-XXP-1Y-00A(H)			
	G.E : FINISH :		DRAWING NO. DG801-E01 /PART NO.	SIZE A3 REV T6 05/21/10
	SCALE : 1:1 DO NOT SCALE DRAWING		SHEET 1 OF 1	

ITEM	NAME OF PART	NO. OF PART	Q'TY	MATERIAL	NOTES
10	DG801-Current-Carrier	X000003320 (H) △	1	Brass	Ni plated
9	DG305-Spring	X000000260 (H)	2	Stainless Steel	
8	10HS"-Screw	S000003000 (H) △	2*XX	Steel	Cr ³⁺ Zn