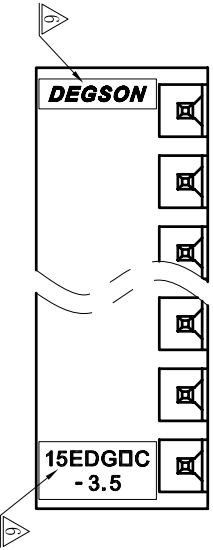
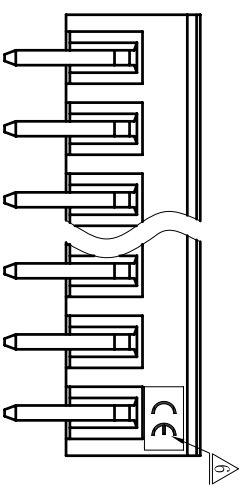
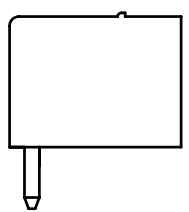
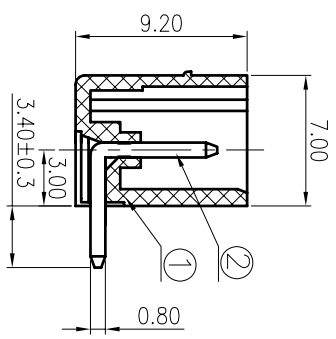
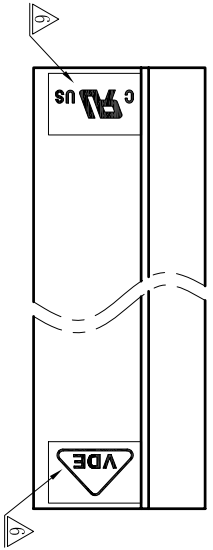
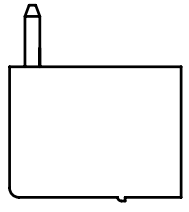
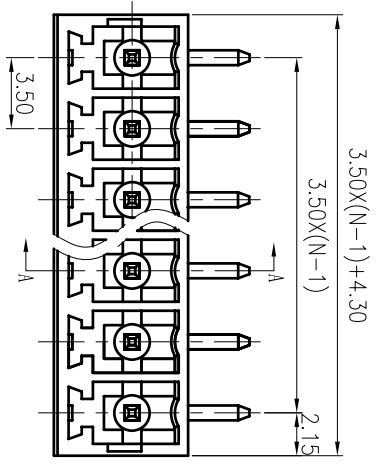


REVISION RECORD			
REV	ECO	DESCRIPTION	DRFT DATE
△		Drawing amend	W/P 04/17/06
△		增加U刻字	Yei 10/16/06
△		更新图面	LJH 03/01/08
△		老模新开更改刻字	WLM 07/14/08
△		增加自动化方针	WLM 10/31/08
△		增加IEC新字及更改数字、增加印刷字	ZengJY 04/11/09



- Notes:
1. Pitch: 3.5mm, poles: 2-24p
 2. Rated voltage/current: UL 300V/8A VDE 250/7A
 3. Operation temperatures: -40°C ~ +105°C
 4. Withstanding voltage: AC2000V/1min
 5. Insulation resistance: 5000MΩ/DC1000V
 6. Undimensioned Tolerances:

Pitch range in mm	Nominal dimension range in mm	
over 6	over 30	over 60
to 10	to 100	to 100
to 10	to 24	to 30
to 10	to 30	to 60
to 10	to 30	to 100
to 10	to 30	to 150
to 10	to 15	to 0.2±0.3
to 10	to 15	to 0.5±0.7
to 10	to 15	to 1.0±0.05/10

2	15EDGRC-Pin header	△1003B00040 (H)	XX	Brass	Automatic assembly
2	15EDGRC-Pin header	1003B00010 (H)	XX	Brass	Manual assembly

1	15EDGRC-3.5-Housing	1002A0YXXA (H)	1	PA66	UL94V-0
ITEM NAME OF PART		NO. OF PART		Q'TY MATERIAL NOTES	
DETACHED LISTS		DRAWING NO. 15EDGRC-3.5-E02		SIZE REV	
TOLERANCES EXCEPT AS NOTED		/PART NO.		A3 16	
MM		DATE		REV	
0 ±		DATE		16/11/09	
.000 ±		DATE			
ANGLES ± 1°		MATERIAL:			
THIRD ANGLE PROJECTION		FINISH:			
SCALE: 1:1		DO NOT SCALE DRAWING		SHEET 1 OF 1	

DEGSON 宁波高正电子有限公司
DEGSON ELECTRONICS CO., LTD

NAME
15EDGRC-3.5-XXP-1Y-00A(H)