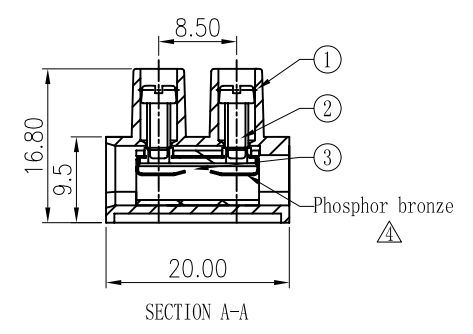
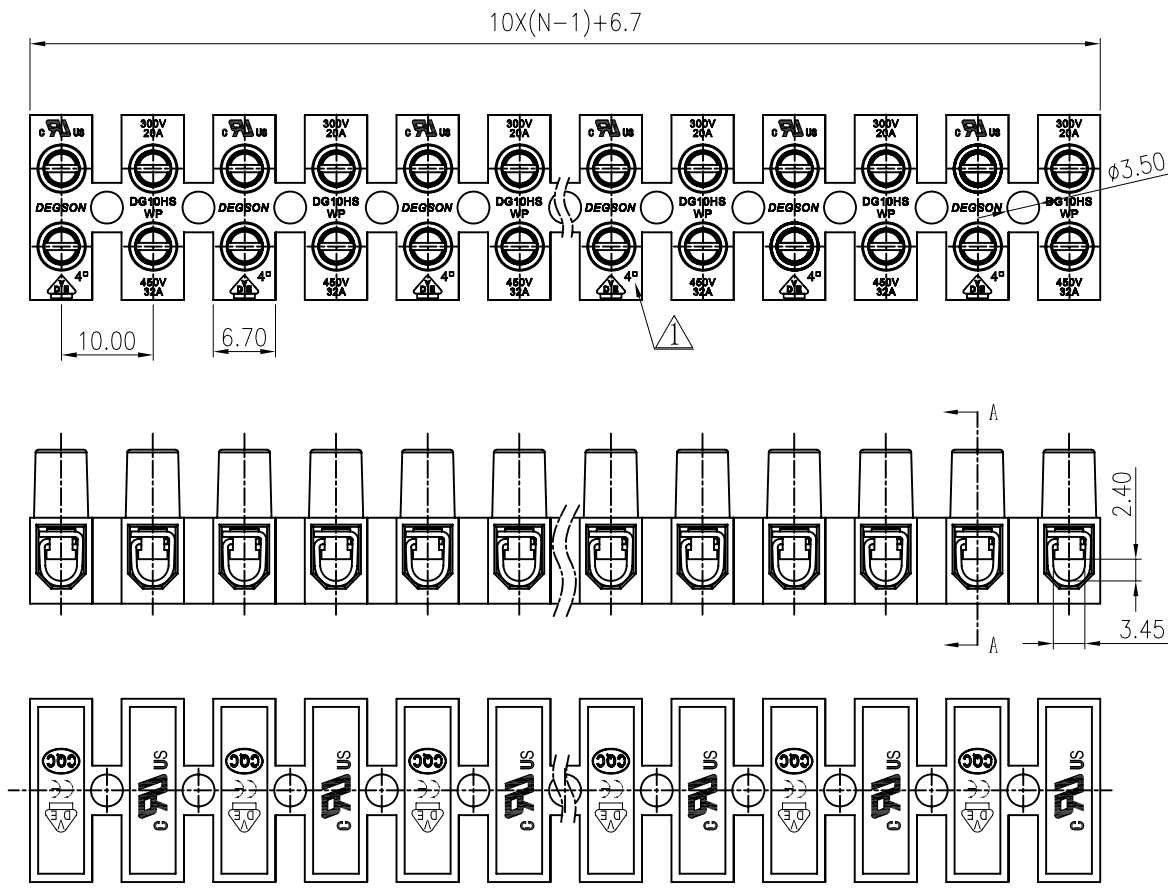


REVISION RECORD				
REV	ECN	DESCRIPTION	DRFT	DATE
△		增加VDE线径刻字	Zengy	09/28/08
△		DG10HS塑件改为DG10HSWP塑件	LJH	10/18/08
△		品名由00A(H)修改为100A(H)	WJM	12/02/08
△	09-0075	增加弹片材质备注	LJH	10/05/09



Notes:

1. Pitch: 10.0, Poles: 2-12P
2. Rated voltage/Current: UL 300V/20A
VDE 450V/32A
3. Operation temperatures: -40°C ~ +105°C
4. Withstanding Voltage: AC2500V/1Min
5. Insulation Resistance: 5000MΩ/DC1000V
6. Wier Range: 18-12AWG, 0.5-4mm²
7. Max. Torque Value: M2.6, 4.08kgf.cm
8. Undimensioned Tolerances:

Pitch range in mm			Nominal dimension range in mm					
	over 6	over 10	to 30	over 30	over 60	over 100	over 150	∅
to 6	to 10	to 24	to 30	to 60	to 100	to 150		∇
±0.10	±0.15	±0.25	±0.2	±0.3	±0.5	±0.7	±1.0	0.05/10

3	DG10HSWP-Current carrier	X000002260 (H)	XX	Steel+ Phosphor bronze	Cr ³⁺ Zn
2	DG10HSWP"-ScrewM2.6	S000004100 (H)	XX*2	Steel	Cr ³⁺ Zn
1	DG10HSWP-1.2 Housing	2049A0YXXA (H) △	1	PA66	UL94V-2
ITEM	NAME OF PART	NO. OF PART	Q'TY	MATERIAL	NOTES
DEGSON		宁波高正电子有限公司 DEGSON ELECTRONICS CO., LTD			
NAME		△ DG10HSWP-1.2-XXP-1Y-100A(H)			
DRAWING NO. DG10HSWP-E01		SIZE A4		REV T4 10/05/09	
/PART NO.		DD NDT SCALE DRAWING		SHEET 1 OF 1	