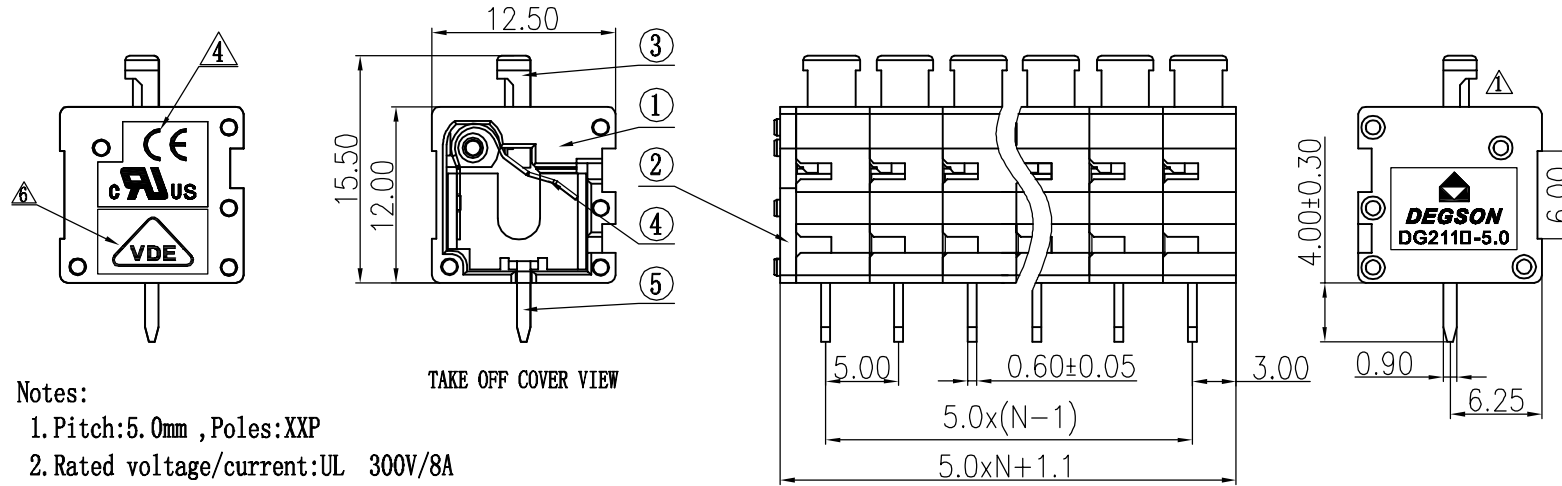


REVISION RECORD					
REV	ECO	DESCRIPTION	DRFT	DATE	
△		工程变更	Hang	07/27/07	
△		商标去掉	LJH	09/04/07	
△		品名、料号增加环保标示“(H)”	LJH	12/08/07	
△		增加刻字	LJH	02/20/08	
△		按钮材质由PA66变更为POM	WLM	04/20/09	
△	10-0322	增加VDE刻字及修改参数	ZXX	09/27/10	



Notes:

1. Pitch: 5.0mm , Poles: XXP
2. Rated voltage/current: UL 300V/8A
VDE 250V/15A △
3. Operation temperatures: -40°C ~ +105°C
4. Withstanding Voltage: AC2500V/1Min
5. Insulation Resistance: 5000MΩ / DC1000V
6. Wire Range: 26~16AWG, 0.2~1.5mm² △
7. Undimensioned Tolerances:

Pitch range in mm		Nominal dimension range in mm						—
to	over	over	over	over	over	over	over	∩
6	6	10	30	60	100	150		∇
6	10	24	30	60	100	150		
	±0.10	±0.15	±0.25	±0.2	±0.3	±0.5	±0.7	±1.0
								0.05/10

5	DG211V-5.0-Pin header	3034B00010 (H)	XX	Brass	SnCe
4	DG211V/R-5.0-Spring	X000001360 (H)	XX	Stainless steel	
3	DG211V/R-5.0-Button	3034D0Y01A (H)	XX	POM △	UL94HB
2	DG211V/R-5.0-Cover	3034C0Y01A (H)	1	PA66	UL94V-0

ITEM	NAME OF PART	NO. OF PART	Q'TY	MATERIAL	NOTES
1	DG211V/R-5.0-Housing	3034A0Y01A (H)	XX	PA66	UL94V-0

DETAILED LISTS	MM (INCH)	DFTO Alon	DATE 05/18/06"
		CHKD	DATE
		MFO	DATE
		APPVL	DATE
		MATERIAL :	
		ANGLES ± 1°	G.E. :
		THIRD ANGLE PROJECTION	FINISH :
			SCALE : 1:1

宁波高正电子有限公司 DEGSON ELECTRONICS CO., LTD	
NAME	
DG211V-5.0-XXP-1Y-00A(H)	
DRAWING NO. DG211V-5.0-E01	SIZE T6
/PART NO.	A3
DO NOT SCALE DRAWING	REV 09/27/10"
SHEET 1	OF 1