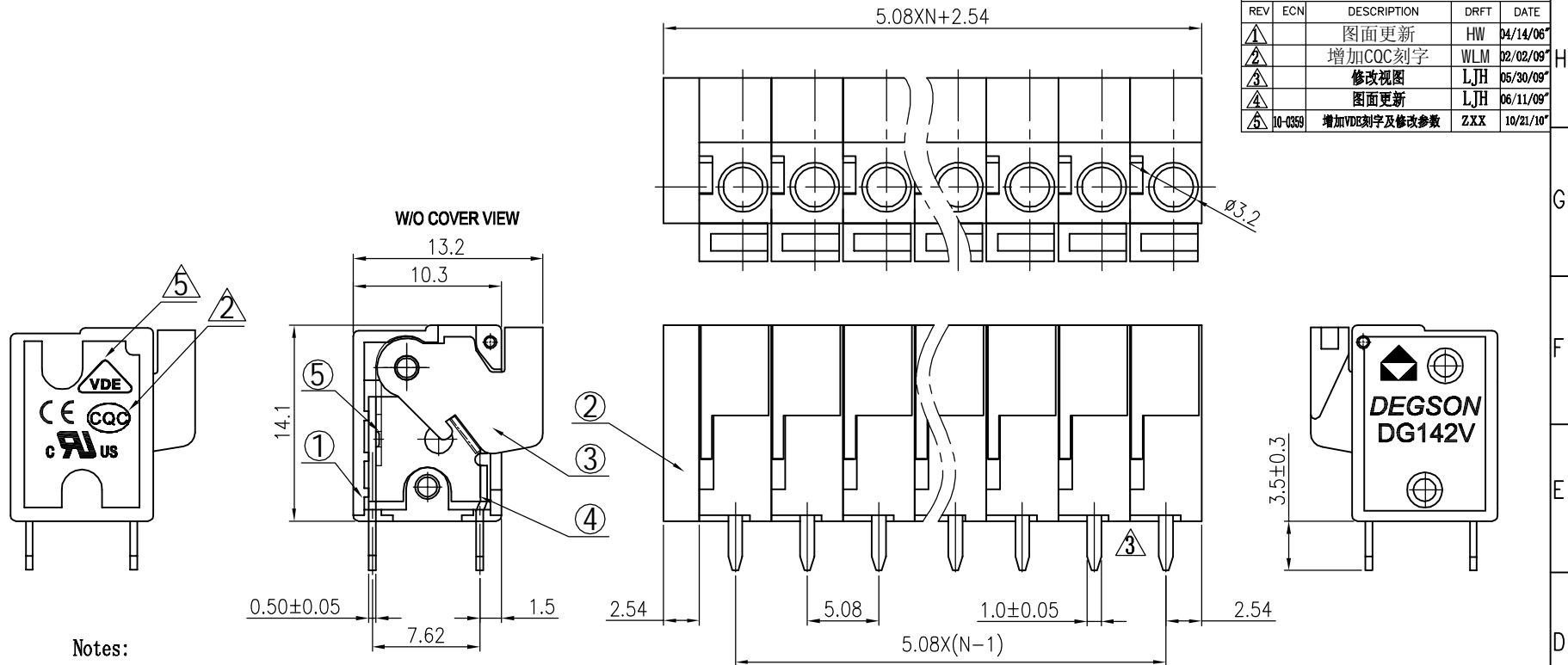


| REVISION RECORD | | | | |
|-----------------|---------|--------------|------|----------|
| REV | ECN | DESCRIPTION | DRFT | DATE |
| △ | | 图面更新 | HW | 04/14/06 |
| △ | | 增加CQC刻字 | WLM | 02/02/09 |
| △ | | 修改视图 | LJH | 05/30/09 |
| △ | | 图面更新 | LJH | 06/11/09 |
| △ | 10-0359 | 增加VDE刻字及修改参数 | ZXX | 10/21/10 |



Notes:

- Pitch: 5.08mm, Poles: XXP
- Rated voltage/current: UL 300V/10A
VDE 250V/15A $\triangle 5$
- Operation temperatures: -40°C ~ +105°C
- Withstanding Voltage: AC2000V/1min
- Insulation Resistance: 5000M Ω /DC1000V
- Wire Range: 22~16AWG, 0.2~1.5mm² $\triangle 5$
- Undimensioned Tolerances:

| Pitch range in mm | | Nominal dimension range in mm | | | | | | |
|-------------------|--------|-------------------------------|---------|---------|----------|----------|-----------|--|
| | over 6 | over 10 | over 30 | over 60 | over 100 | over 150 | | |
| to | to 10 | to 24 | to 30 | to 60 | to 100 | to 150 | | |
| 6 | | | | | | | \square | |
| | ±0.10 | ±0.15 | ±0.25 | ±0.2 | ±0.3 | ±0.5 | ±0.7 | |
| | | | | | | | ±1.0 | |
| | | | | | | | 0.05/10 | |

| | | | | | |
|---|--------------------|----------------|----|-----------------|------------|
| 5 | DG142 Spring | X000000130 (H) | XX | Stainless Steel | |
| 4 | DG142V Pin header | 3003B00010 (H) | XX | Brass | SnCe Plate |
| 3 | DG142V-5.08 Button | 3003D0501A (H) | XX | PA66 | UL94V-0 |
| 2 | DG142V-5.08 Cover | 3003C0Y01A (H) | 1 | PA66 | UL94V-0 |

TOP VIEW-LAYOUT

| 1 | DG142V-5.08 Housing | 3003A0Y01A (H) | XX | PA66 | UL94V-0 |
|----------------------------|---------------------|---|---------|----------|---------|
| ITEM | NAME OF PART | NO. OF PART | Q'TY | MATERIAL | NOTES |
| TOLERANCES EXCEPT AS NOTED | | DFTO Home DATE 12/20/05* CHKD DATE MFO DATE APPVL DATE | | | |
| DETACHED LISTS | | MATERIAL : G.E : FINISH : SCALE : 1:1 | | | |
| THIRD ANGLE PROJECTION | | NAME DG142V-5.08-XXP-1Y-00A(H) DRAWING NO. DG142V-5.08-E13 /PART NO. DO NOT SCALE DRAWING | | | |
| | | | SHEET 1 | OF 1 | |