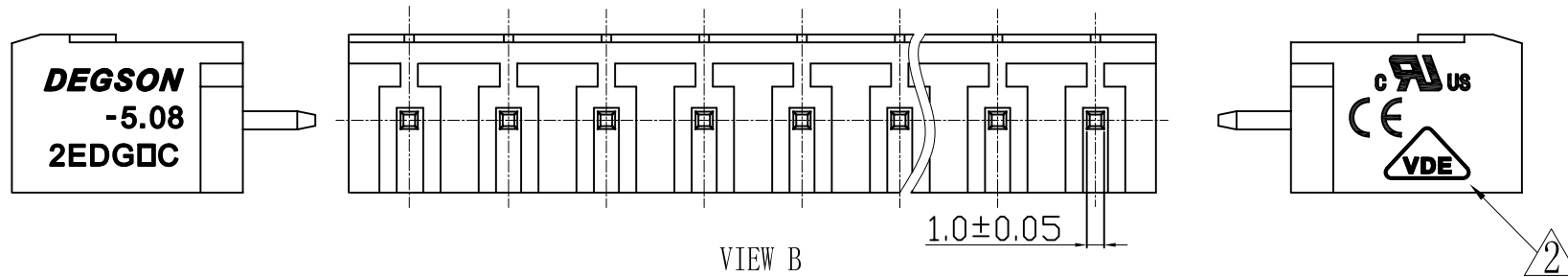
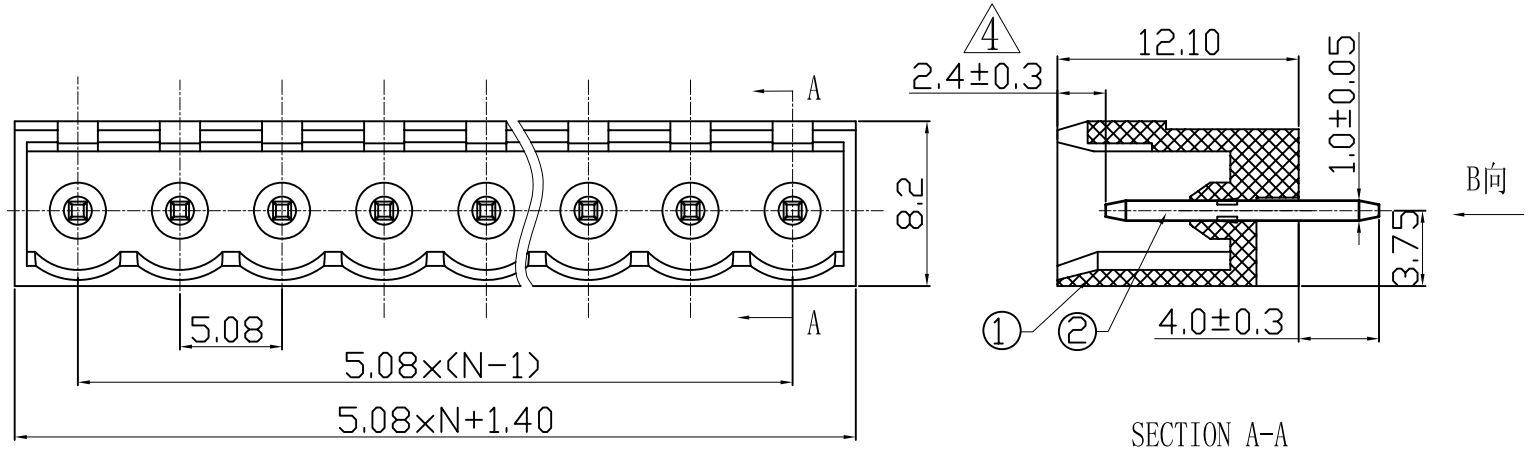


REVISION RECORD				
REV	ECD	DESCRIPTION	DRFT	DATE
△		图面更新	CSX	05/06/06
△		增加VDE、CE刻字	Ye j	02/28/08*
△		增加自动化方针	WLM	09/23/08*
△	10-0329	增加标注尺寸	COCO	10/09/10*



Notes:

1. Pitch: 5.08mm, Poles: 2-24P
2. Rated voltage/current: UL 300V/15A VDE 320V/20A
3. Operation temperatures: -40° C ~ +105° C
4. Withstanding voltage: AC2000V/1Min
5. Insulation resistance: 5000MΩ/DC1000V
6. Undimensioned Tolerances:

Pitch range in mm		Nominal dimension range in mm						
to 6	over 6 to 10	over 10 to 24	to 30	over 30 to 60	over 60 to 100	over 100 to 150	over 150	
±0.10	±0.15	±0.25	±0.2	±0.3	±0.5	±0.7	±1.0	
							0.05/10	

2	2EDGV-Pin header	△ 1007B00010 (H)	XX	Brass	Automatic assembly
2	2EDGV-Pin header	1007B00030 (H)	XX	Brass	Manual assembly
1	2EDGVC-5.08 Housing	1009A0YXXA (H)	1	PA66	UL94V-0
ITEM	NAME OF PART	NO. OF PART	Q'TY	MATERIAL	NOTES

DETACHED LISTS	MM (INCH)	DFTD HW	DATE 08/23/05*
	TOLERANCES EXCEPT AS NOTED	CHKD	DATE
	MM	MFD	DATE
	.0 ±	APPVL	DATE
.00 ±	MATERIAL :		
.000 ±	ANGLES ± 1°		
THIRD ANGLE PROJECTION		G.E :	FINISH:
SCALE :		DRAWING NO. 2EDGVC-5.08-E06	
DD NOT SCALE DRAWING		/PART NO.	
SHEET 1		SIZE A3	
OF 1		REV T4 10/09/10*	