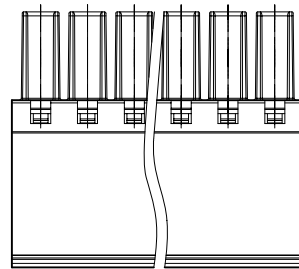
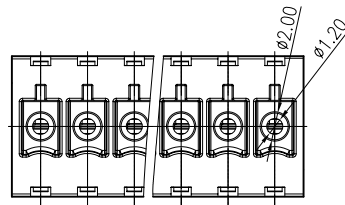
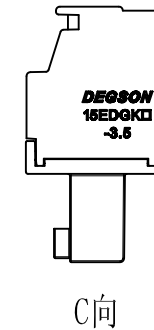
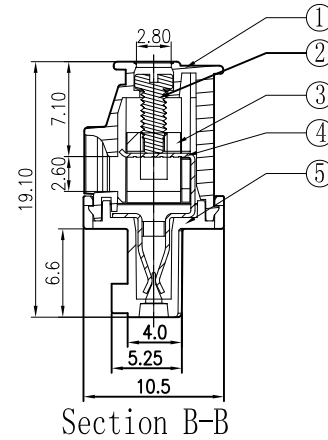
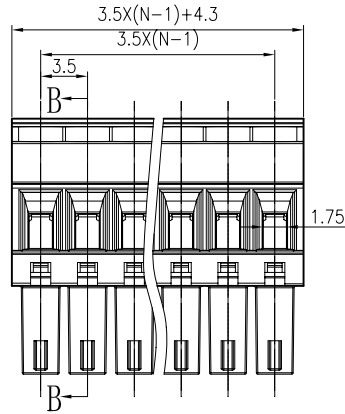
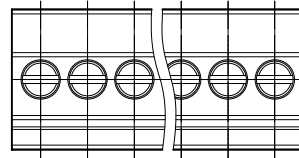
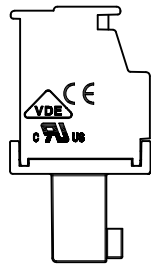


REVISION RECORD				
REV	ECO	DESCRIPTION	DRFT	DATE

Notes:

- Pitch:3.5mm , Poles:2-24P
- Rated voltage/current:UL 300V/8A
VDE 250V/7A
- Operation temperatures:-40°C~+105°C
- Withstanding Voltage:AC2000V/1Min
- Insulation Resistance:5000MΩ/DC1000V
- Wire Range:28~16AWG, 0.5-1.5mm²
- Max. Torque Value:M2, 2.04kgf.cm (1.77Lb.in)
- Undimensioned Tolerances:

Pitch range in mm		Nominal dimension range in mm					—
to 6	over 6 to 10	over 10 to 24	to 30	over 30 to 60	over 60 to 100	over 100 to 150	over 150
±0.10	±0.15	±0.25	±0.2	±0.3	±0.5	±0.7	±1
							0.05/0.10



5	15EDGKA/B-3.5-100A-Cover	1033COYXXE (H)	1	PA66	UL94V-0
4	15EDGKA/B-100A-Clamp	1033B00020 (H)	XX	Phosphor bronze	SnCe
3	15EDGK Cage	X00000010 (H)	XX	Brass	Ni Plated
2	15EDG Screw-M2.0	S000001360 (H)	XX	Steel	Cr ³⁺ Zn
1	15EDGKA/B-3.5-100A-Housing	1033A0YXXE (H)	1	PA66	UL94V-0
ITEM	NAME OF PART	NO. OF PART	Q"TY	MATERIAL	NOTES

DETACHED LISTS	MM (INCH)	DFTO Apple	DATE 04/11/09*	 宁波高正电子有限公司 DEGSON ELECTRONICS CO., LTD
	TOLERANCES EXCEPT AS NOTED	CHKD	DATE	
		MFO	DATE	
		APPVL	DATE	
		MATERIAL :		
	ANGLES ± 1°		G.E :	NAME 15EDGKA-3.5-XXP-1Y-100A (H)
	THIRD ANGLE PROJECTION		FINISH :	
	SCALE : 1:1		DO NOT SCALE DRAWING	
		DRAWING NO. 15EDGKA-3.5-E100		SIZE A3
		/PART NO.		REV TO 09/10/10*
			SHEET 1	OF 1