

| REVISION RECORD | | | | |
|-----------------|-----|-------------|------|------|
| REV | ECN | DESCRIPTION | DRFT | DATE |
| | | | | |

NOTES1:

- UL Standard
 1.Rated voltage/current : 300V / 20A
 2.Torque value : M3.5 , 7.02Lb.in
 3.Wire range : 30~10AWG

IEC Standard

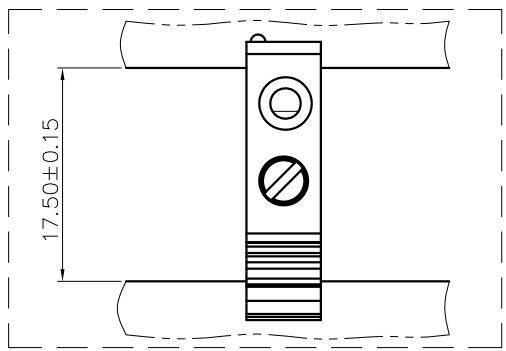
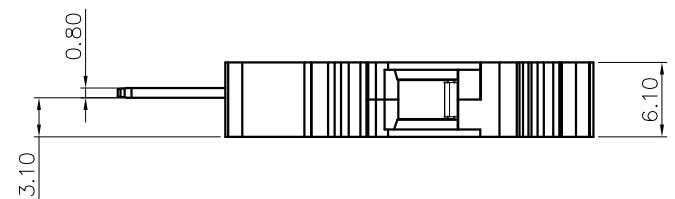
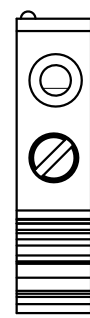
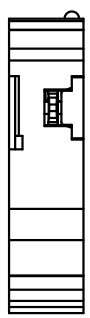
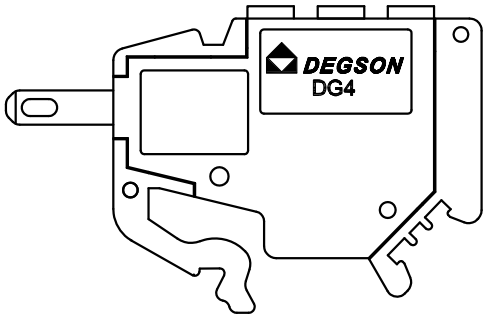
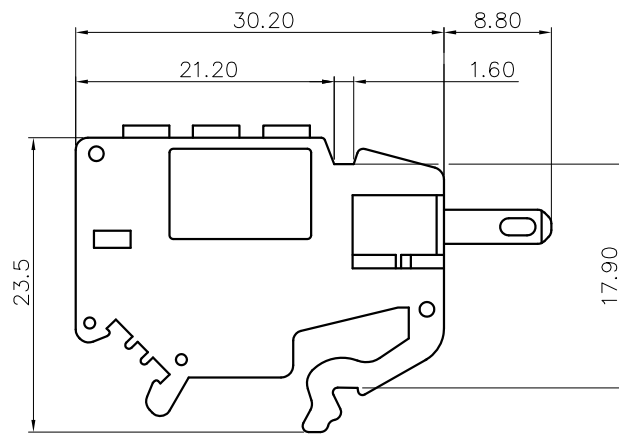
- 1.Rated voltage/current : 400V / 24A
 2.Torque value : M3.5 , 0.8N·m
 3.Wire range : 0.2~4mm²

NOTES2:

- 1.Dimension shall be interpreted per ASME Y14.5-2009
 2.Pitch : 6.1mm, Poles : N=01P
 3.Stripping length : 8mm
 4.Withstanding voltage : AC2500V/1Min
 5.Operating temperature: -40°C~+105°C
 6.Undimensioned tolerances:

| Pitch range in mm | | Nominal dimension range in mm | | | | - | ∩ | ∇ |
|-------------------|-------|-------------------------------|-------|-------|-------|--------|-------|-----|
| To | Over | To | Over | To | Over | 0.1/10 | | |
| 6 | 10 | 10 | 30 | 30 | 60 | 100 | 150 | ∠ |
| ±0.15 | ±0.20 | ±0.30 | ±0.30 | ±0.50 | ±0.70 | ±1.00 | ±1.30 | ±2' |

7.RoHS Compliance



Card slot size VIEW

DG4 - 01P - 1Y - 00A (H)
 (Series No.) (Poles) (Single Pitch) (Color): 1.(Grey)
 2.(Blue)
 3.(Black)
 4.(Green)
 5.(Orange)
 6.(Red)
 7.(Transparent)
 8.(Yellow)
 9.(White)

| | | | | | |
|----------------|------------------------|-----------------------------------|-----------|----------------------|-------|
| DETACHED LISTS | PART NO.: | NINGBO DEGSON ELECTRICAL CO., LTD | | | |
| | APPD: | NAME: DG4-01P-1Y-00A(H) | | | |
| | CHKD: | TITLE: CUSTOMER DRAWING | | REV | DO |
| | DRFT: | DRAWING NO.: | | SHEET | 1/1 |
| | THIRD ANGLE PROJECTION | | MM (INCH) | DO NOT SCALE DRAWING | SCALE |

H
G
F
E
D
C
B
A

H
G
F
E
D
C
B
A