

BUZZER

III

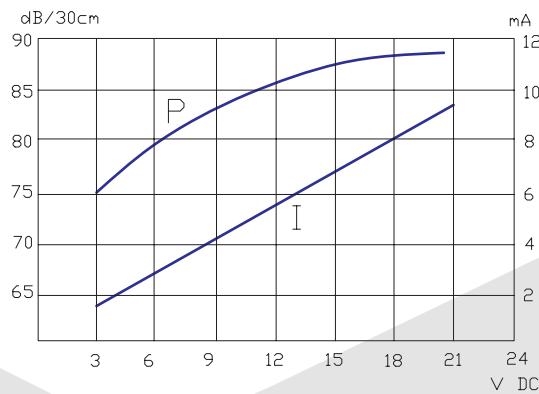
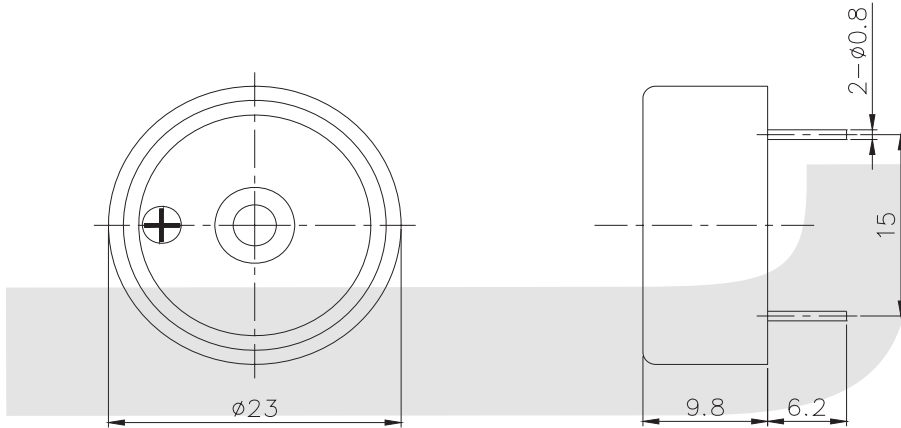
Piezo Buzzer Series

KLS3-PB-23*10 With Circuit Piezo Buzzer Series

Order Code	KLS3-PB-23*10-A	KLS3-PB-23*10-B
Rated Voltage	12V _{DC}	24V _{DC}
Operating Voltage	3...24V _{DC}	12...36V _{DC}
Max.Rated Current	12mA	12mA
Resonant Frequency	3.5±0.5KHz	3.5±0.5KHz
Min.S.P.L.(@10cm)	85dB	85dB
Tone Nature	Continuous	
Operating Temp	-20~+70°C	
Weight	4g	



Dimensions (Unit:mm)



ORDER INFORMATION

Product NO.: KLS3- PB - 23*10-A

Part Number _____ Order Code _____
Piezo Buzzer Series _____