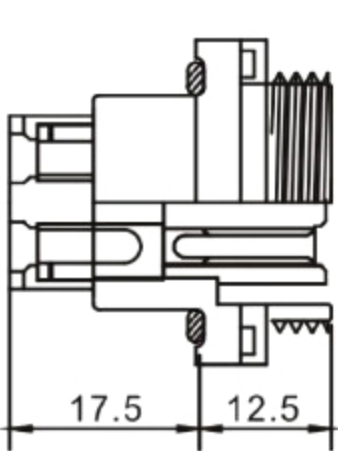
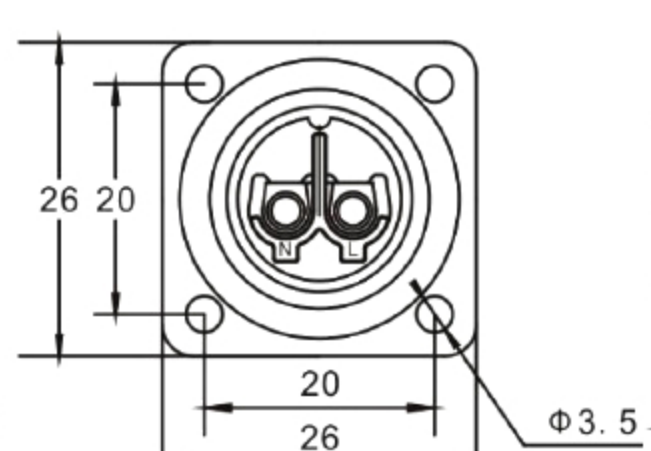
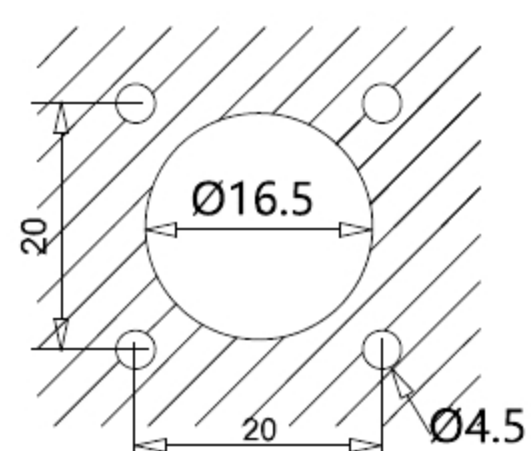
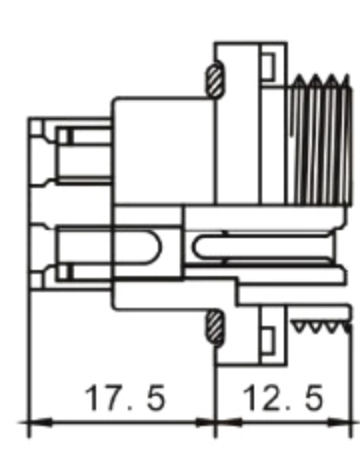
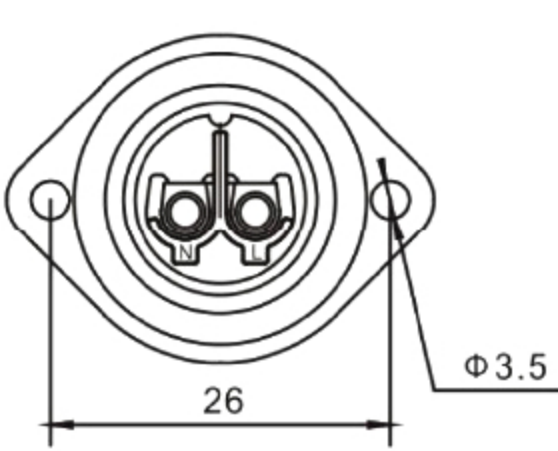
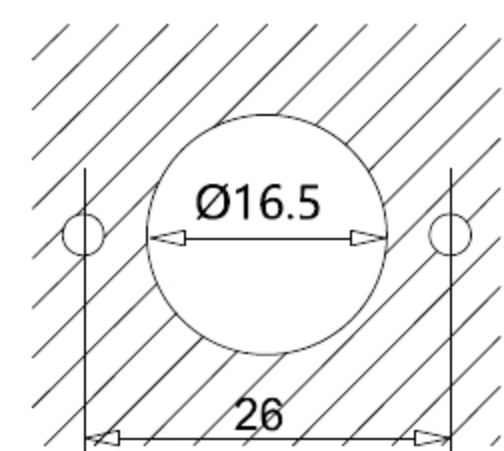
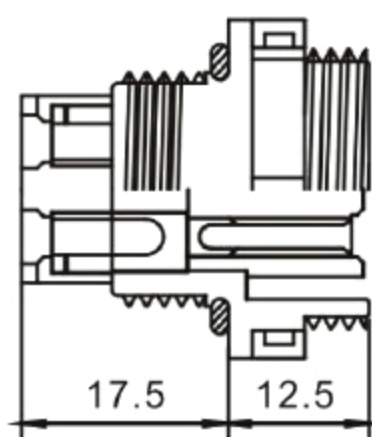
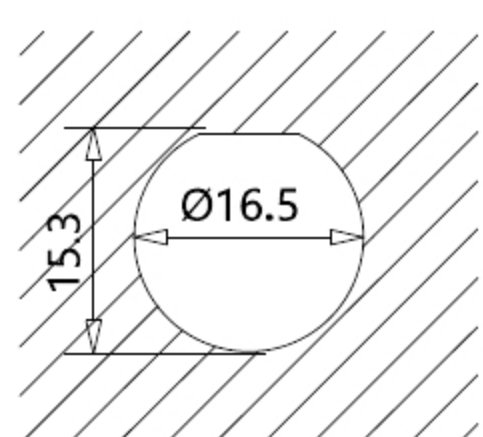


适用6-8mm电线



КД-016	02	03	04
PIN			
Diameter of contact(Φmm)	Ø2.8×2	Ø1.8×3	Ø1×4
Rated current A	20A	10A	5A
Operating Voltage (AC. V)	250V	250V	250V
Withstand voltage (AC. V)	1500V	1500V	1500V
Contact resistance mΩ	2	2	5
Insulation resistance MΩ	2000	2000	2000

SZC