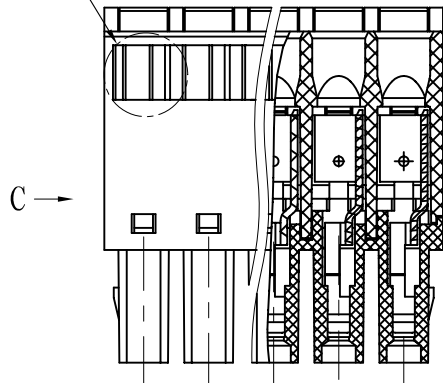
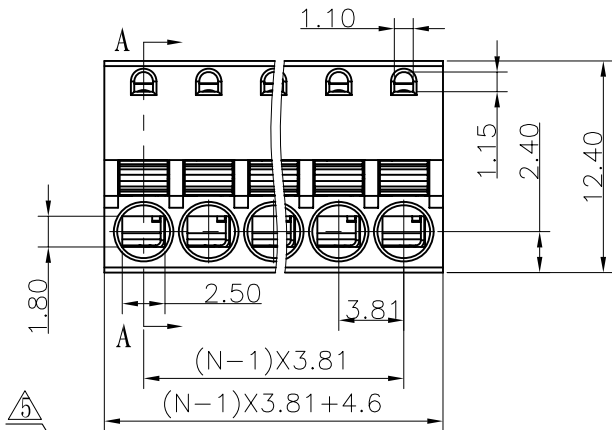
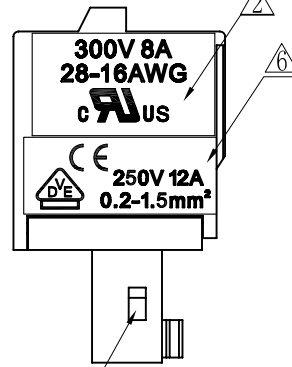
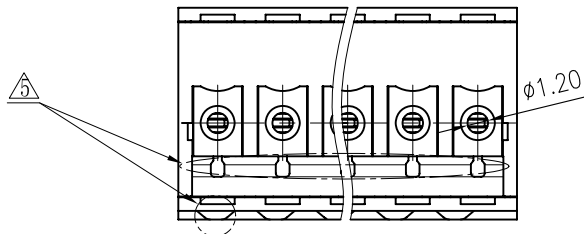


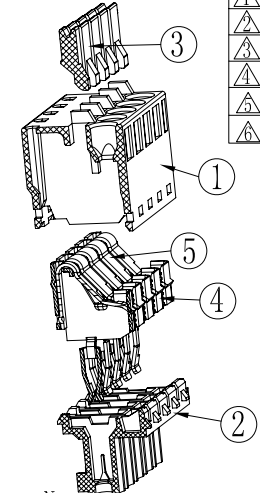
SECTION A-A



SECTION B-B



注: 2-6P带卡点, 7-24P, 不带卡点



Notes:

- pitch: 3.81mm poles: 2-24p
- Rated voltage/current: UL 300V/8A
VDE 250V/12A
- Insulation Resistance: 5000MΩ/DC1000V
- Withstanding voltage: AC2000V/1min
- Wire range: 28-16AWG 0.2-1.5mm²
- Temp. Range: -40° C ~ +105° C
- Undimensioned Tolerances:

| Pitch range in mm | | Nominal dimension range in mm | | | | | |
|-------------------|-------|-------------------------------|------|------|------|------------|--|
| to | over | to | over | over | over | | |
| 6 | 10 | 10 | 30 | 60 | 100 | 150 | |
| ±0.10 | ±0.15 | ±0.25 | ±0.2 | ±0.3 | ±0.5 | ±0.7 ± 1.0 | |
| | | | | | | 0.05/0 | |

| REVISION RECORD | | | | |
|-----------------|---------|------------------|------|----------|
| REV | ECN | DESCRIPTION | DRFT | DATE |
| △ | | 品名、料号增加环保标示“(H)” | LJH | 12/11/07 |
| △ | | 增加UL刻字 | CSX | 02/25/08 |
| △ | | 图面整理 | hyq | 01/21/10 |
| △ | 10-0160 | 增加卡点管控 | HD | 06/01/10 |
| △ | 10-0254 | 避专利改外形 | HD | 06/28/10 |
| △ | 10-0361 | 增加VDE刻字及修改参数 | ZXX | 10/25/10 |

| ITEM | DESCRIPTION | QTY | MATERIAL | NOTES |
|------|--------------------|---------------|----------|--------------------------------|
| 5 | 15EDGKD spring | X000001310(H) | XX | stainless steel |
| 4 | 15EDGKD PIN | 1088B00010(H) | XX | phosphor bronze Snce plated |
| 3 | 15EDGKD BUTTON | 1088D0501A(H) | XX | PA66 UL94V-0 |
| 2 | 15EDGKD-3.81-COVER | 1088C0YXXA(H) | 1 | PA66 UL94V-0 |

| | | | | | |
|----------------------------|----------------------|---------------|---|----------|---------|
| 1 | 15EDGKD-3.81-HOUSING | 1088A0YXXA(H) | 1 | PA66 | UL94V-0 |
| NAME OF PART | | NO. OF PART | Q'TY | MATERIAL | NOTES |
| MM (INCH) | DFTO Zh/mm | DATE 05/31/07 | 宁波高正电子有限公司 DEGSON ELECTRONICS CO., LTD | | |
| TOLERANCES EXCEPT AS NOTED | | CHKD DATE | NAME | | |
| MM | ± | MFO DATE | 15EDGKD-3.81-XXP-1Y-00A(H) | | |
| .0 ± | ± | APPLV DATE | DRAWING NO. 15EDGKD-3.81-E01 | | |
| .00 ± | ± | | /PART NO. | | |
| .000 ± | ± | | SIZE A3 | | |
| ANGLES ± 1° | | G.E. : | REV T6 | | |
| THIRD ANGLE PROJECTION | | FINISH : | 10/25/10 | | |
| | | SCALE : | DO NOT SCALE DRAWING | | |
| | | | SHEET 1 | | OF 1 |