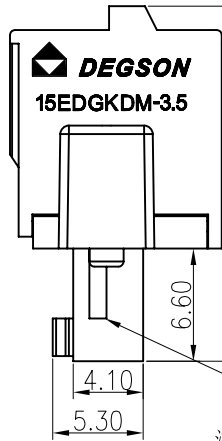
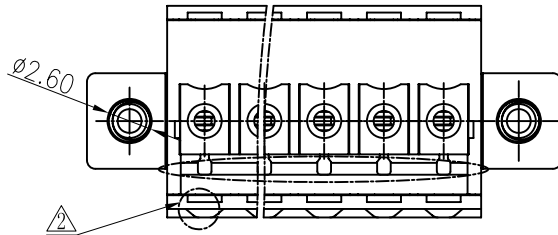
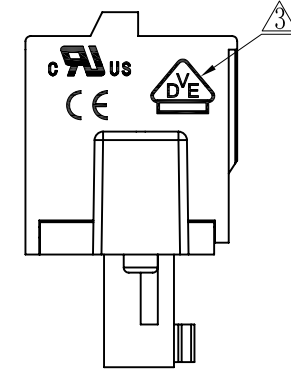
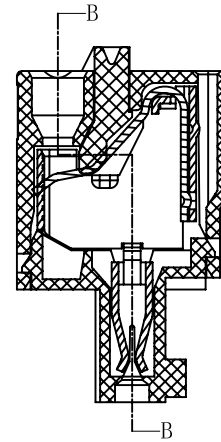
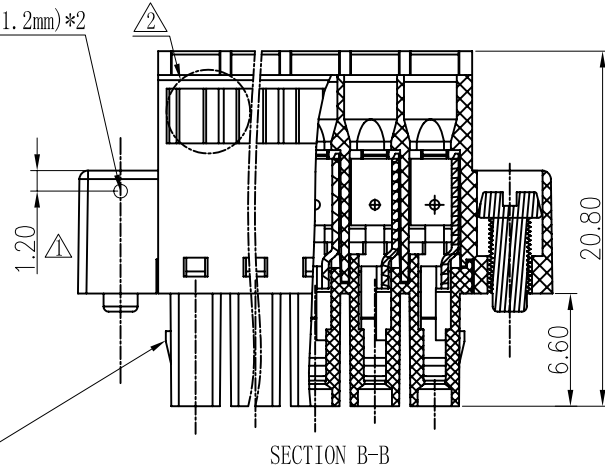


Drill hole
(Max \varnothing 0.8*1.2mm)*2



注: 2-6P带卡点, 7-24P, 不带卡点



REVISION RECORD				
REV	ECO	DESCRIPTION	DRFT	DATE
△		更换螺丝, 增加防脱点位置标注	WLM	02/06/09*
△	10-0260	避专利改外形	HD	06/28/10*
△	10-0343	增加VDE刻字	Yi. Zeng	10/08/10*

Notes:

- Pitch: 3.5mm Poles: 2-20P
- Rated voltage/current: UL 300V/8A
VDE 250V/12A
- Operation temperatures: $-45^{\circ}\text{C} \sim +105^{\circ}\text{C}$
- Withstanding voltage: AC2000V/1Min
- Insulation Resistance: 5000M Ω /DC1000V
- Wire range: 28-16AWG, 0.2-1.5mm²
- Undimensioned Tolerances:

Pitch range in mm		Nominal dimension range in mm					-
to	over	to	over	to	over	to	
6	10	10	24	30	60	100	150
±0.10	±0.15	±0.25	±0.2	±0.3	±0.5	±0.7	±1.0
							0.05/0.10

ITEM	NAME OF PART	NO. OF PART	Q'TY	MATERIAL	NOTES
6	2EDGka/B M2.5"- Screw	△ S000000980 (H)	2	Steel	Cr ³ Zn
5	15EDGKD Spring	X000001310 (H)	XX	Stainless steel	
4	15EDGKD Clamp	1088B00010 (H)	XX	Phosphor bronze	Snce plated
3	15EDGKD Button	1088D0501A (H)	XX	PA66	UL94V-0
2	15EDGKD-3.5-Cover	1087C0YXXA (H)	1	PA66	UL94V-0

ITEM	NAME OF PART	NO. OF PART	Q'TY	MATERIAL	NOTES												
1	15EDGKDM-3.5-Housing	1101A0YXXA (H)	1	PA66	UL94V-0												
<table border="1"> <tr> <td>MM (INCH)</td> <td>DFTO Zhumm</td> <td>DATE 07/18/08</td> </tr> <tr> <td>TOLERANCES EXCEPT AS NOTED</td> <td>CHKD</td> <td>DATE</td> </tr> <tr> <td></td> <td>MFO</td> <td>DATE</td> </tr> <tr> <td></td> <td>APPVL</td> <td>DATE</td> </tr> </table>		MM (INCH)	DFTO Zhumm	DATE 07/18/08	TOLERANCES EXCEPT AS NOTED	CHKD	DATE		MFO	DATE		APPVL	DATE	<p>DEGSON [®] 宁波高正电子有限公司 DEGSON ELECTRONICS CO., LTD</p> <p>NAME: 15EDGKDM-3.5-XXP-1Y-00A(H)</p>			
MM (INCH)	DFTO Zhumm	DATE 07/18/08															
TOLERANCES EXCEPT AS NOTED	CHKD	DATE															
	MFO	DATE															
	APPVL	DATE															
<table border="1"> <tr> <td>MM</td> <td>±</td> </tr> <tr> <td>.0 ±</td> <td>±</td> </tr> <tr> <td>.00 ±</td> <td>±</td> </tr> <tr> <td>.000 ±</td> <td>±</td> </tr> </table>		MM	±	.0 ±	±	.00 ±	±	.000 ±	±	<p>MATERIAL :</p> <p>G.E :</p> <p>FINISH :</p> <p>SCALE :</p>							
MM	±																
.0 ±	±																
.00 ±	±																
.000 ±	±																
<table border="1"> <tr> <td>ANGLES ± 1°</td> <td></td> </tr> </table>		ANGLES ± 1°		<p>DRAWING NO. 15EDGKDM-3.5-E01</p> <p>/PART NO. 02</p>													
ANGLES ± 1°																	
<table border="1"> <tr> <td>THIRD ANGLE PROJECTION</td> <td></td> </tr> </table>		THIRD ANGLE PROJECTION		<p>DO NOT SCALE DRAWING</p> <p>SHEET 1 OF 1</p>													
THIRD ANGLE PROJECTION																	