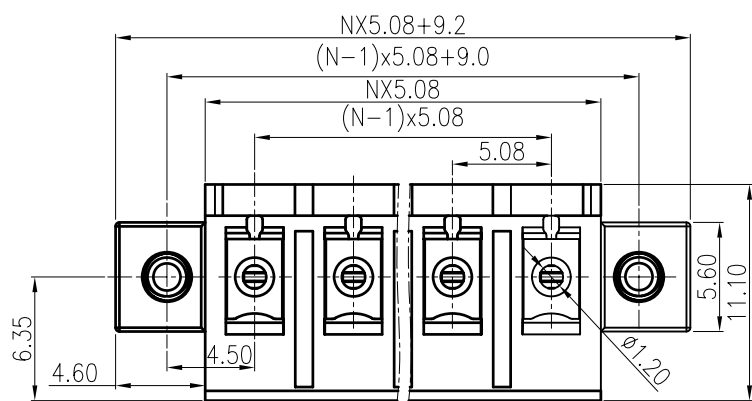
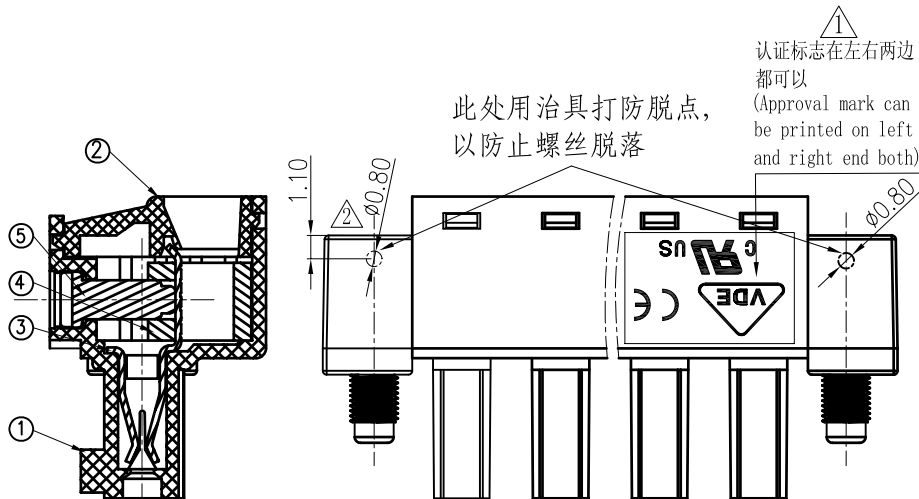
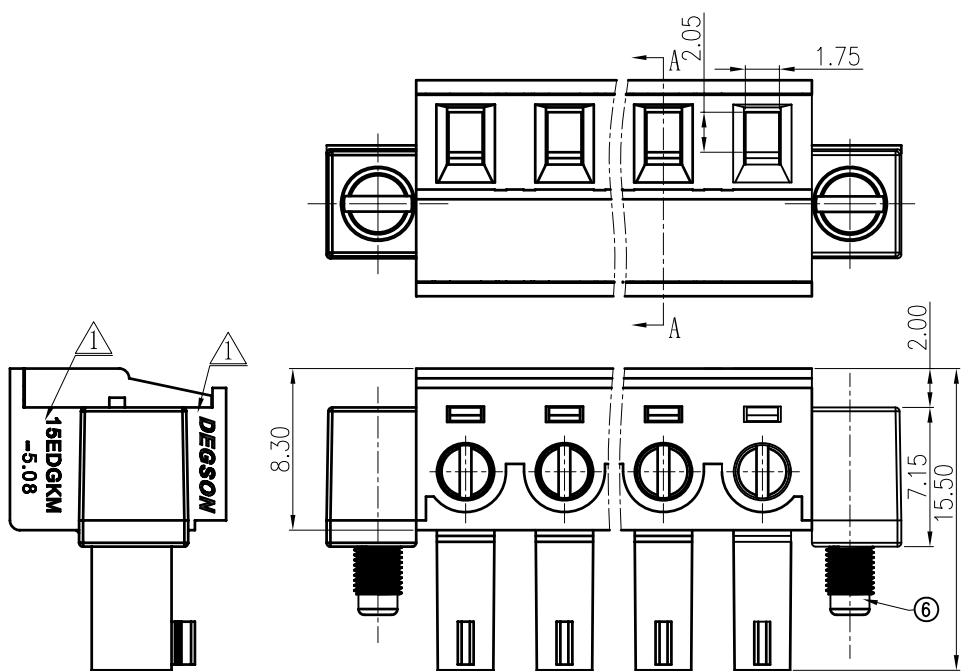


REVISION RECORD					
REV	ECO	DESCRIPTION	DRFT	DATE	
①		增加VDE, UL, CE刻字及商标品名	Zengy	01/13/09*	
②		修改螺丝防脱卡点位置及尺寸	WLM	04/21/09*	



- Notes:
- Pitch: 5.08mm, Poles: 2-12P
 - Rated voltage/current: UL 300V/8A
VDE 250V/7A
 - Operation temperatures: -40°C ~ +105°C
 - Withstanding Voltage: AC2000V/1Min
 - Insulation Resistance: 5000MΩ/DC1000V
 - Wire Range: 28~16AWG, 0.5~1.5mm²
 - Max. Torque Value: M2, 2.04kgf.cm
 - Undimensioned Tolerances:

Pitch range in mm		Nominal dimension range in mm						
to	to	to	to	to	to	to		
6	10	10	24	30	60	100	150	∩
±0.10	±0.15	±0.25	±0.2	±0.3	±0.5	±0.7	±1.0	□

ITEM	NAME OF PART	NO. OF PART	Q"TY	MATERIAL	NOTES
6	2EDGKA-"Screws	S000000980 (H)	2	Steel	Cr ³⁺ Zn
5	15EDG-"Screws	S000001360 (H)	XX	Steel	Cr ³⁺ Zn
4	15EDG-Brass cage	X000000010 (H)	XX	Brass	Ni plated
3	15EDG-Clamp	1001B00010 (H)	XX	Phospor Bronze	Ni plated
2	15EDGK-5.08-Cover	1168C0YXXA (H)	1	PA66	UL94V-0

1	15EDGKM-5.08-Housing	1169A0YXXA (H)	1	PA66	UL94V-0																
<table border="1"> <tr> <th>MM (INCH)</th> <th>TOLERANCES EXCEPT AS NOTED</th> </tr> <tr> <td>.0 ±</td> <td>±</td> </tr> <tr> <td>.00 ±</td> <td>±</td> </tr> <tr> <td>.000 ±</td> <td>±</td> </tr> </table>		MM (INCH)	TOLERANCES EXCEPT AS NOTED	.0 ±	±	.00 ±	±	.000 ±	±	<table border="1"> <tr> <td>DFTO Zhuwm</td> <td>DATE 12/14/07*</td> </tr> <tr> <td>CHKD</td> <td>DATE</td> </tr> <tr> <td>MFO</td> <td>DATE</td> </tr> <tr> <td>APPVL</td> <td>DATE</td> </tr> </table>		DFTO Zhuwm	DATE 12/14/07*	CHKD	DATE	MFO	DATE	APPVL	DATE	宁波高正电子有限公司 DEGSON ELECTRONICS CO., LTD	
MM (INCH)	TOLERANCES EXCEPT AS NOTED																				
.0 ±	±																				
.00 ±	±																				
.000 ±	±																				
DFTO Zhuwm	DATE 12/14/07*																				
CHKD	DATE																				
MFO	DATE																				
APPVL	DATE																				
ANGLES ± 1° 		MATERIAL : G.E : FINISH : SCALE : 1:1		NAME 15EDGKM-5.08-XXP-1Y-00A (H)																	
DRAWING NO. 15EDGKM-5.08-E01 /PART NO.				SIZE A3 REV T2 04/21/09*	DO NOT SCALE DRAWING SHEET 1 OF 1																