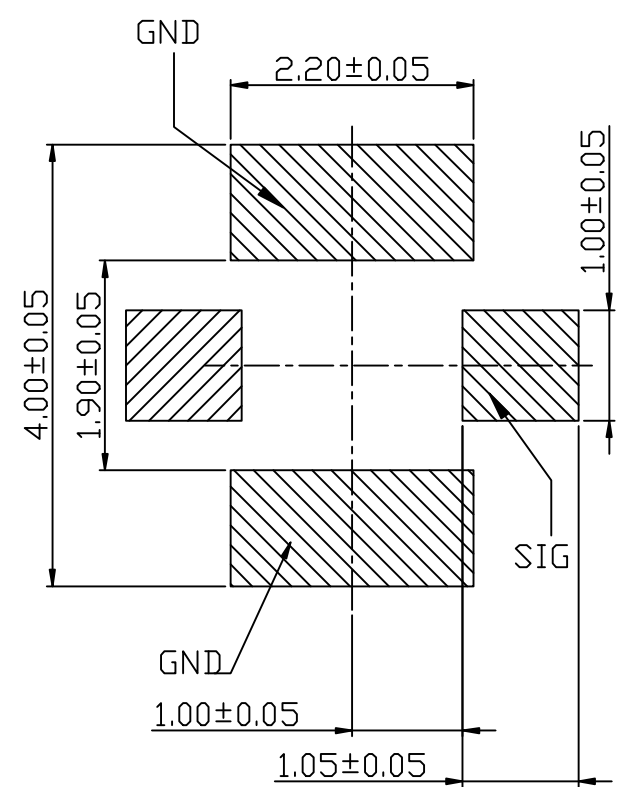
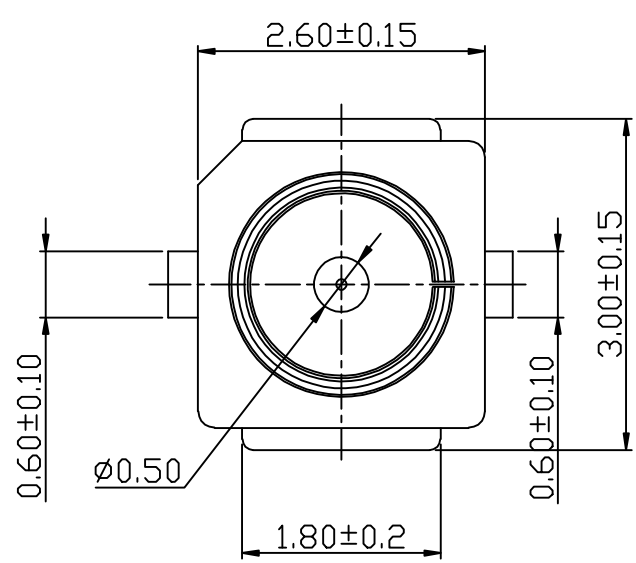
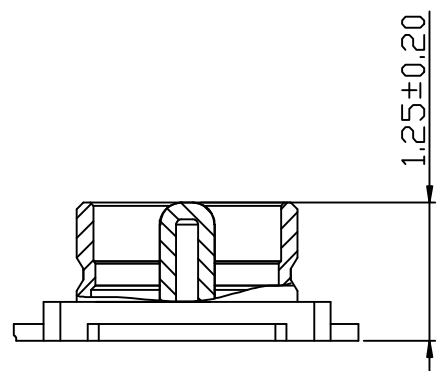
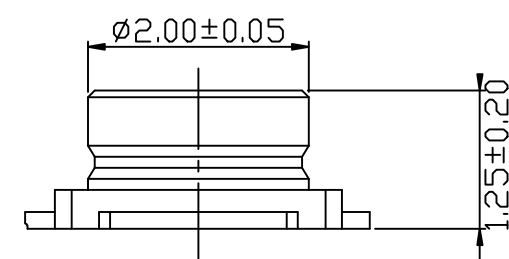


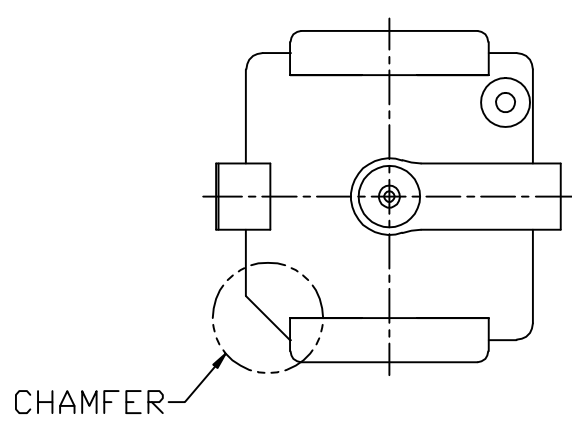
REV.	LOCATION	DESCRIPTION	DWN	ARVD	DATE



RECOMMENDED PC BOARD PATTERN DRAWING



- NOTES:**
- ELECTRICAL CHARACTERISTICS:**
 - CURRENT RATING: 0.5A Max;
 - IMPEDANCE: 500HM NOMINAL.
 - MECHANICAL CHARACTERISTICS:**
 - OPERATING TEMP. -40° TO 90° ;
 - VSWR UP TO 3 GHz:1.3MAX;
3GHz TO 6GHz:1.3MAX;
 - DURABILITY: 30CYCLES.



TOL.		PART NAME	LVC CONN 40PIN 0.5PH TERMINAL	DWN	DRAWING NO. zhangquan 2016/3/3		PROJECTION		SHEET	1/1
X.	X° ± 1°	PART NO.		TITLE:	RF板端		产品型号	958-B113-W-BU-A0		
.X ± 0.05	.X° ± 0.5°	ASSEMBLY NO.	HLX09101	APVD				文档编号	JS-RD-RF-T004	
.XX ± 0.03	.XX° ± 0.05°	DWG TYPE		UNITS	mm					

由 Autodesk 教育版产品制作

由 Autodesk 教育版产品制作