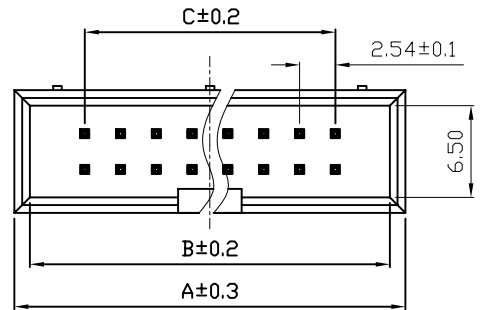
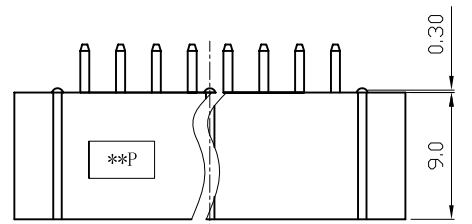
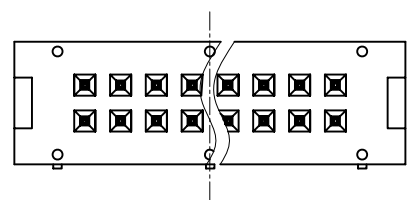
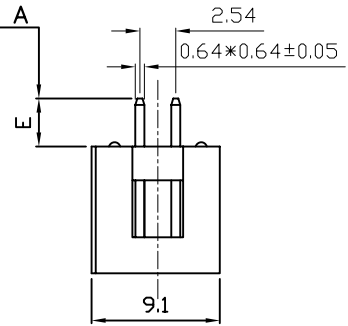


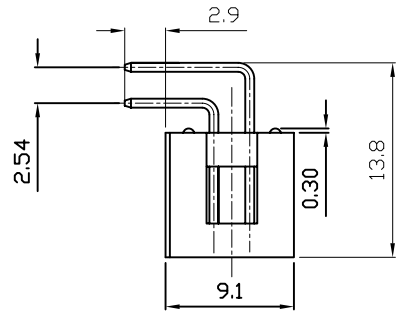
REV.	DESCRIPTION	DRAWN	CHECKED	APPROVED



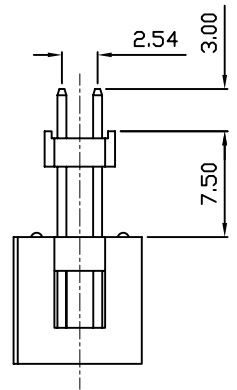
SEE TABLE A



V/T TYPE



R/A TYPE



Elevator TYPE

NOTES:

- ELECTRICAL CHARACTERISTICS:
 - CONTACT RESISTANCE: 20mΩ Max. INITIAL.
 - DIELECTRIC WITHSTANDING VOLTAGE: 500V AC(rms) FOR 1 MINUTE.
 - INSULATION RESISTANCE: 1000MΩ Min.
- ENVIRONMENT CHARACTERISTICS:
 - OPERATING TEMPERATURE: 0°C~+85°C.
 - STORAGE TEMPERATURE: -20°C~+70°C.
- PART NUMBER: DS1013
- PRODUCT NUMBER CODE:

DS1013- X X X X

- HOUSING COLOR
B: BLACK
W: WHITE
U: BLUE
A: GRAY
- CONTACT PLATING
Si: FULL GOLD FLASH
- MOUNTING TYPE
S: V/T TYPE
R: R/A TYPE
E: Elevator TYPE
- No.OF CONTACTS
08 10 14 16
20 26 30 34
40 50 60 64
- SERIES No.
DS1013

Dimension

Position	A	B	C
10	20.30	18.10	10.16
12	22.84	20.64	12.70
14	25.38	23.18	15.24
16	27.92	25.72	17.78
20	33.00	30.80	22.86
26	40.62	38.42	30.48
30	45.70	43.50	35.56
34	50.78	48.58	40.64
40	58.40	56.20	48.26
50	71.10	68.90	60.96
60	83.80	81.60	73.66
64	88.88	86.68	78.74

TABLE A

TYPE	DIM.	E
TYPE 1(PIN LENGTH 11.50mm)		3.10
TYPE 2(PIN LENGTH 16.50mm)		8.00

GENERAL TOLERANCE	
X.	±0.60
.X	±0.38
.XX	±0.25

ANGLE TOLERANCE	
X.	±5°
.X	±3°
.XX	±2°

PROJECTION	TITLE
UNITS	mm
SHEET SIZE	A4

BOX HEADER PITCH 2.54mm			
SERIES	DS1013 SERIES		
BH-10 (IDC-10MS)	BH-20 (IDC-20MS)	BH-30R (IDC-30MR)	BH-50R (IDC-50MR)
BH-10R (IDC-10MR)	BH-20R (IDC-20MR)	BH-34 (IDC-34MS)	BH-60 (IDC-60MS)
BH-14 (IDC-14MS)	BH-24 (IDC-24MS)	BH-34R (IDC-34MR)	BH-60R (IDC-60MR)
BH-14R (IDC-14MR)	BH-26 (IDC-26MS)	BH-40 (IDC-40MS)	BH-64 (IDC-64MS)
BH-16 (IDC-16MS)	BH-26R (IDC-26MR)	BH-40R (IDC-40MR)	BH-64R (IDC-64MR)
BH-16R (IDC-16MR)	BH-30 (IDC-30MS)	BH-50 (IDC-50MS)	

2	CONTACT		COPPER ALLOY	GOLD FLASH	DRAWING TYPE	CUSTOMER		
1	HOUSING		THERMOPLASTIC	UL 94 V-0	SCALE	1:1	SHEET	1 OF 1
ITEM	PART NAME	PART NO.	MATERILAS	FINISHED	DRAWING NO.	C-DS1013-XXXX		