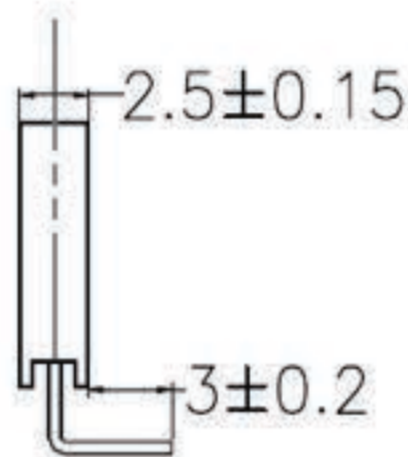
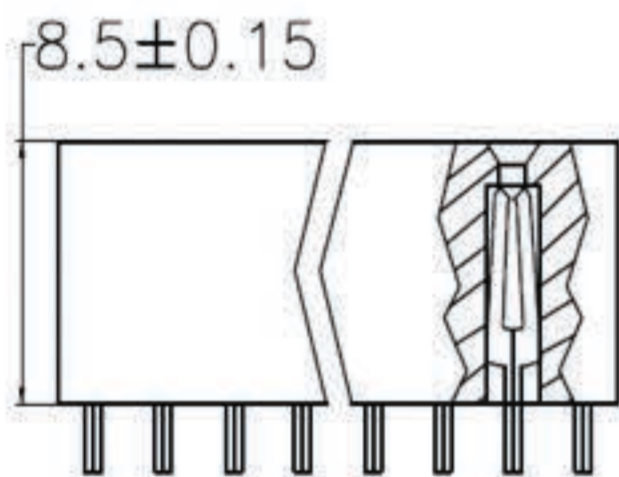
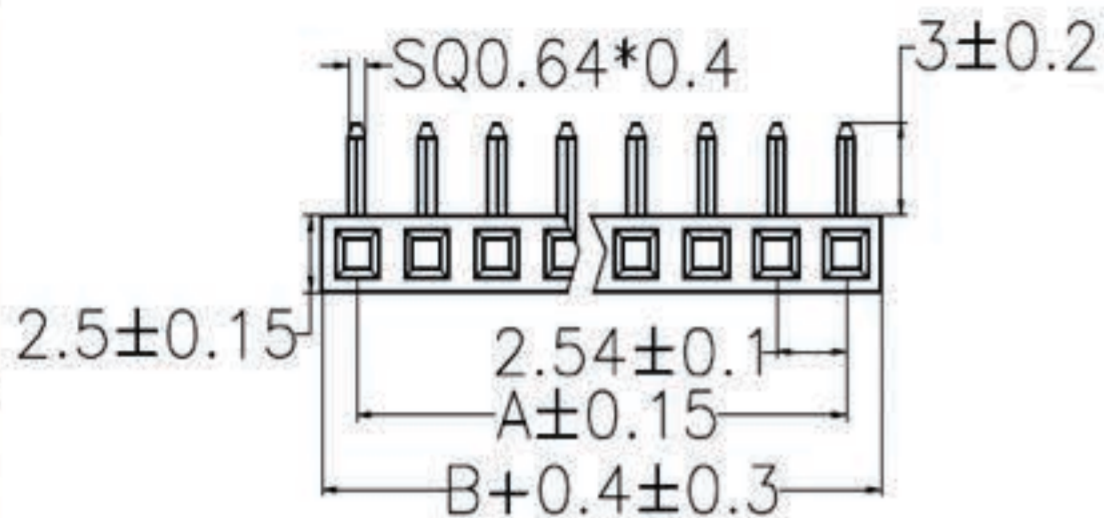


# ITEM: PBS-1x\_R шаг 2.54 мм



## SPECIFICATIONS

**Current Rating:**3Amps  
**Insulation Resistance:**1000MΩ min  
**Withstanding Voltage:** 1000VAC  
**Contact Resistance:**20mΩ max  
**Operating Temperature:**-40° C to+105° C  
**Standard:**PBT  
**Contact Material:**Brass  
**Contact Plating:**Au or Sn Over Ni  
**Max. Processing Temp:**200 °Cfor30-60second  
 (220 °Cfor10second)

## Code Description

CH-254-FH-1-XX-85-25-S-30-GO-A

(1) (2) (3) (4) (5) (6) (7) (8) (9) (10)

- (1) Pin Spacing: 254=2.54mm
- (2) Product Name: FH=Female Header
- (3) No. of Rows:1=Single 2=Dual Row
- (4) No. of Pins Per Row:1-40
- (5) Insulator Material Height:50=5.0mm;85=8.5mm
- (6) Insulator Material wide: 25=2.5mm;50=5.0mm
- (7) ContactType:S=Straight;R=Right/Angle;M=SMT
- (8) Contact Material Length:28=2.8mm;30=3.0mm;32=3.2mm
- (9) Contact Plating:SN=Tin;GO=Gold Flash;SO=Gold Flash/Tin;AU08=Au0.8u''
- (10) Insulator Material Option:  
 A=BK-PBT;B=BK-PA6T;C=BK-PA46;D=BK-LCP;S=Special

## Shenzhen Rui Chi electronic Co. , Ltd

No. of	DIN. A	DIN. B	No. of	DIN. A	DIN. B	No. of	DIN. A	DIN. B	No. of	DIN. A	DIN. B
1	0.00	2.54	11	25.40	27.94	21	50.80	53.35	31	76.20	78.74
2	2.54	5.08	12	27.94	30.48	22	53.35	55.88	32	78.74	81.28
3	5.08	7.62	13	30.48	33.02	23	55.88	58.42	33	81.28	83.82
4	7.62	10.16	14	33.02	35.56	24	58.42	60.96	34	83.82	86.36
5	10.16	12.70	15	35.56	38.10	25	60.96	63.50	35	86.36	88.90
6	12.70	15.24	16	38.10	40.64	26	63.50	66.04	36	88.90	91.44
7	15.24	17.78	17	40.64	43.18	27	66.04	68.58	37	91.44	93.98
8	17.78	20.32	18	43.18	45.72	28	68.58	71.12	38	93.98	96.62
9	20.32	22.86	19	45.72	48.26	29	71.12	73.66	39	96.62	99.06
10	22.86	25.40	20	48.26	50.80	30	73.66	76.20	40	99.06	101.6

UNLESS OTHERWISE SPECIFIED TOLERANCE  
 X :±0.3 X° :±5°  
 X.X :±0.2 X.X° :±1°  
 X.XX :±0.2 X.XX° :±0.5°

DRAWN NAME: CH-254-FH-1-XX-85-25-R-30-GO-A

SIZE	A4	SCALE	N:1	PROUCT	
REV	A	UNIT	mm	PROJECT	⊕ ← PAGE 1/1

CHECKED	LIU SHENG HUI	DATE	05/28	CHECKED		DATE	/
---------	---------------	------	-------	---------	--	------	---