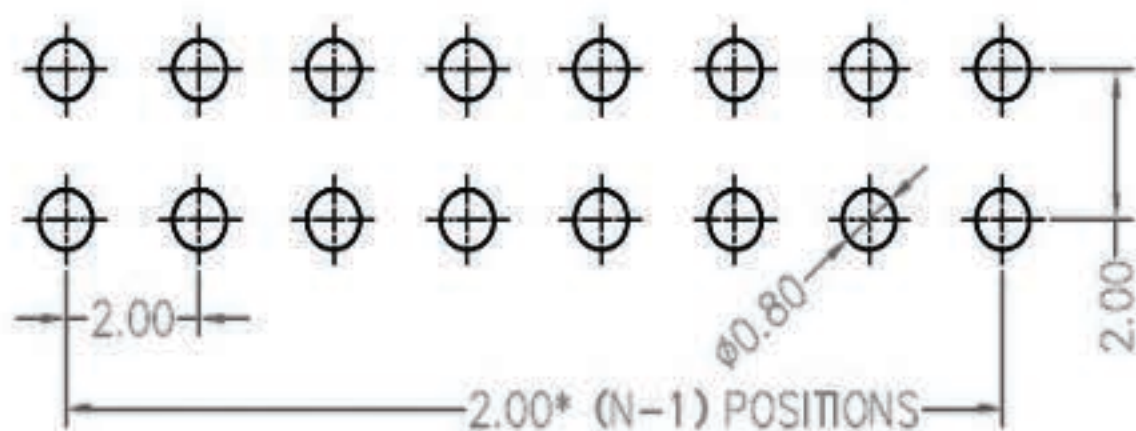
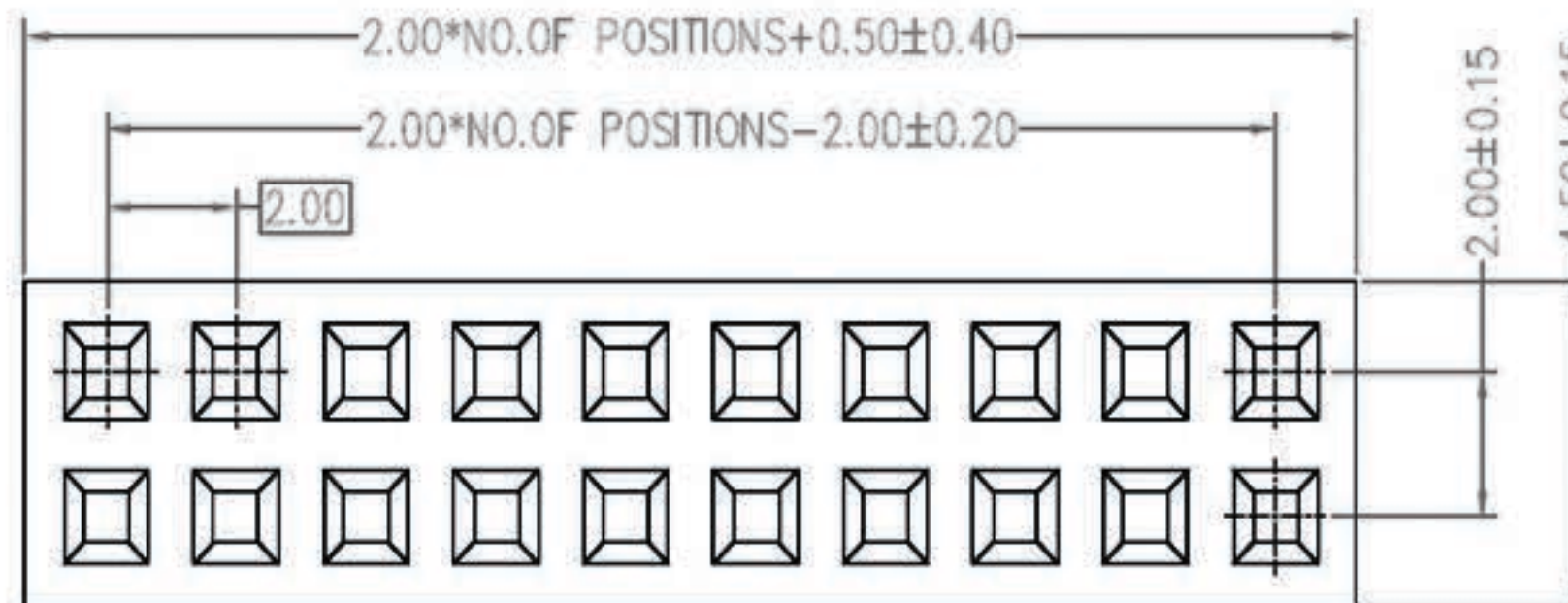


ROHS

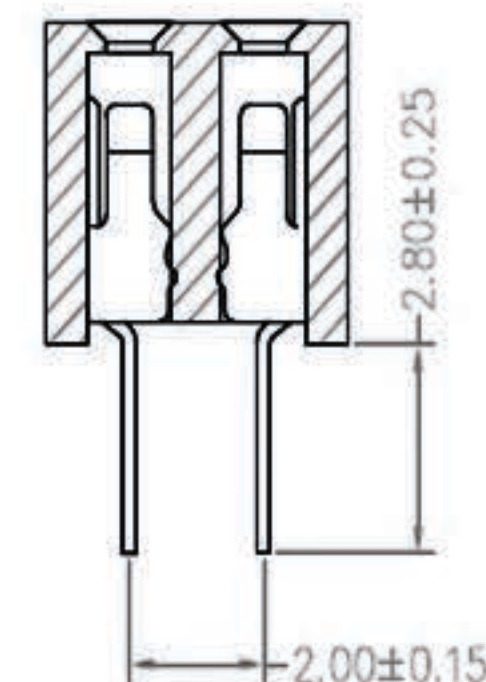
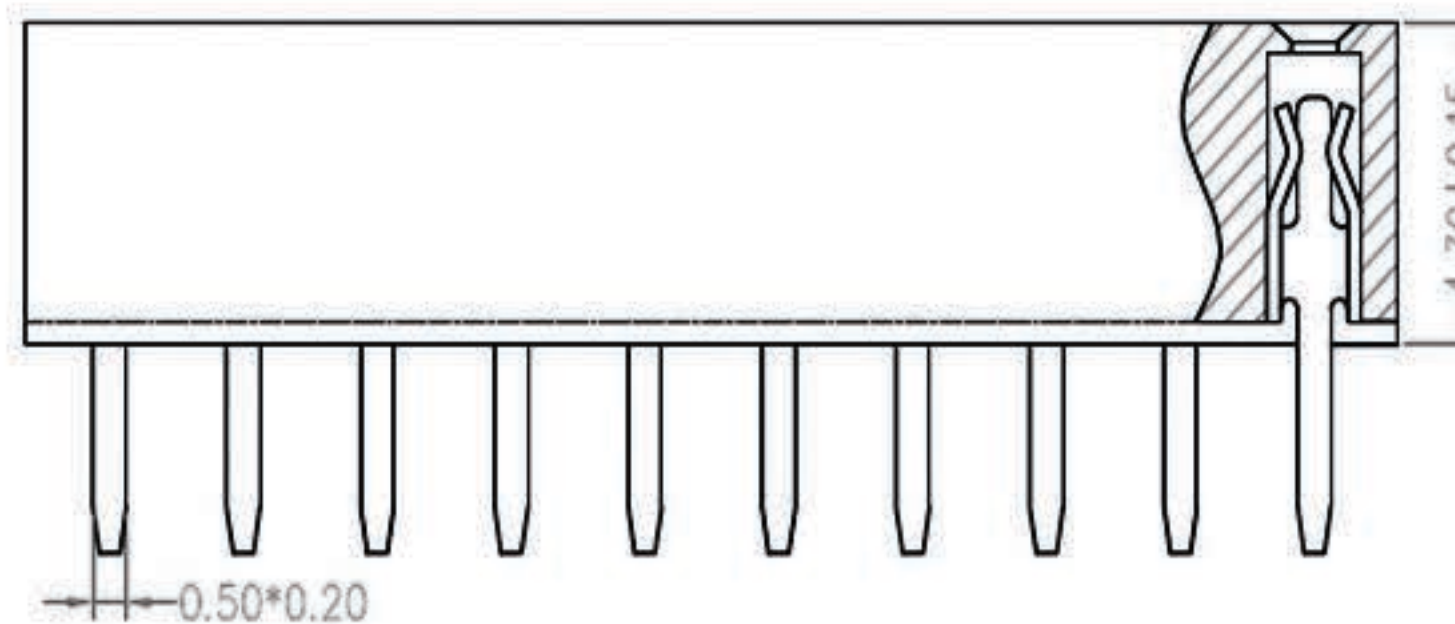
ITEM: PBD2- X (PBD2-2x ) 2.00 mm series

NOTES:

- Voltage Rating: 100V, AC/DC
- Current Rating: 1.5 AMP, AC/DC
- Dielectric Withstand Voltage: 500V, AC/Minute
- Contact Resistance: 20 mΩ Max
- Insulation Resistance: 1000 mΩ Min
- Operation Temperature: -40°C to +105°C
- Insulator Material: Polyester (PBT), UL94 V-0
- Contact Material: Brass
- Contact Plating: nickel plating and tin plating



Recommended P.C.B Layout  
P.C.B Board Tolerance ±0.05



**Shenzhen Rui Chi electronic Co.,Ltd**

客户料号

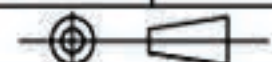
料号 (PART NO)

图号 (DRAWING NO)

品名规格

2.00mm Female Header H=4.0  
W=4.5, Dual Row, 180° DIP

版本 (REV) A/0



X. X	0.30	单位 (UNIT)	MM	绘图 (DRAWN BY)	pingquan
X. XX	0.20	比例 (SCALE)	FREE	核对 (CHECKED BY)	陈 R
X. XXX	0.10	日期 (DATE)	2020.11.05	核准 (APPROVE)	