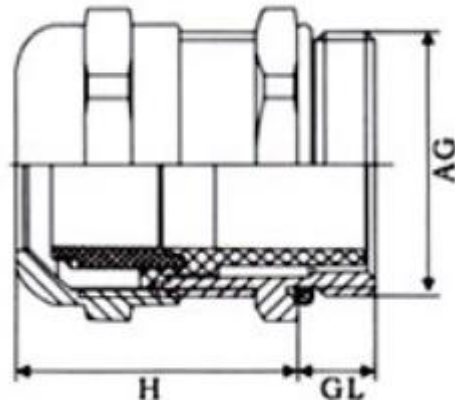




Dimension



- Material: Brass with nickel plated
- Clamp piece: PA
- Seal piece: NBR & EPDM
- Protection class to: IP68 (tighten part)
- Temperature range: -40°C to 100°C, short time to 120°C

Type A

Thread	Cable Range (mm)	GLmm	H mm	Wrench mm	AG (mm)
PG25	15-22	9.5	26.5	33	31.5
PG25	20-16	9.5	26.5	33	31.5
PG29	18-25	10	28.5	40	36.8
PG29	20-13	10	28.5	40	36.8

Type B

Thread	Cable Range (mm)	GLmm	H mm	Wrench mm	AG (mm)
PG25	15-22	10	27	33	31.5
PG25	20-16	10	27	33	31.5
PG29	18-25	11	29.5	40	36.8
PG29	20-13	11	29.5	40	36.8