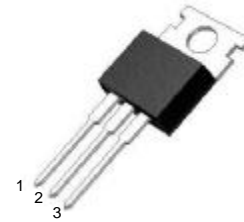


30A/200V SCHOTTKY BARRIER DIODE

Dual High Voltage Schottky Rectifier

Specification Features:

- § High Voltage 200V
- § High Switching Speed Device
- § Low Forward Voltage Drop
- § Low Power Loss and High Efficiency
- § Guard Ring for Over-voltage Protection
- § High Surge Capability
- § RoHS Compliant
- § Matte Tin(Sn) Lead Finish
- § Terminal Leads Surface is Corrosion Resistant and can withstand to 260°C Wave Soldering or per MIL-STD-750, Method 2026.

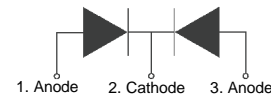


TO-220AB

DEVICE MARKING DIAGRAM



POLARITY CONFIGURATION



MAXIMUM RATINGS (Per Leg, unless otherwise specified)

Symbol	Parameter	MBR30200CT	Units
V_{RRM} V_{RWM} V_R	Maximum Repetitive Reverse Voltage Working Peak Reverse Voltage Maximum DC Reverse Voltage	200	V
$I_{F(AV)}$	Average Rectified Forward Current Per Leg Per Package	15 30	A
I_{FSM}	Non-repetitive Peak Forward Surge Current 8.3mS Single Phase @ Rated Load	250	A
T_{STG}	Storage Temperature Range	-55 to +150	°C
T_J	Operating Junction Temperature	+150	°C

These ratings are limiting values above which the serviceability of the diode may be impaired.

THERMAL CHARACTERISTICS $T_A = 25^\circ\text{C}$ unless otherwise noted

Symbol	Parameter	Value	Unit
$R_{\theta JC}$	Maximum Thermal Resistance, Junction-to-Case	2.5	°C/W

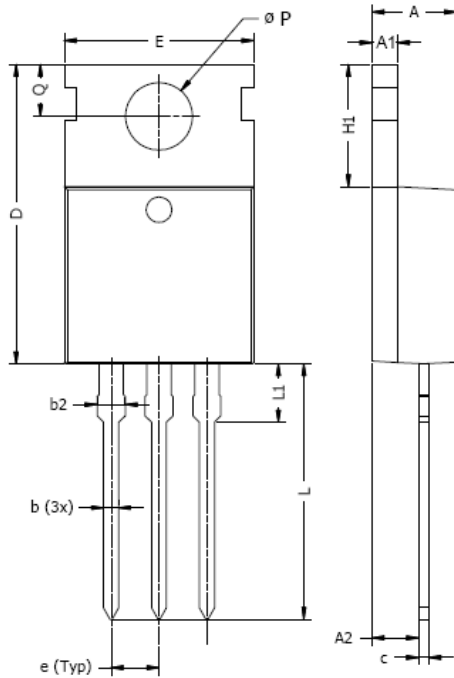
ELECTRICAL CHARACTERISTICS (Per Diode) $T_A = 25^\circ\text{C}$ unless otherwise noted

Symbol	Parameter	Test Condition (Note 1)	Limit		Units
			Min	Max	
I_R	Reverse Current	@ 200V	---	20	μA
V_F	Forward Voltage	$I_F = 15\text{A}$ per leg $I_F = 10\text{A}$ per leg	---	0.90 0.83	V
C_J	Junction capacitance	$V_R = 4\text{V}$, $f = 1\text{MHz}$	---	300	pF

Note 1: Tested under pulse condition of 300 μs .



TO220 PACKAGE OUTLINE



DIM	MILLIMETERS		INCHES	
	MIN	MAX	MIN	MAX
A	3.60	4.80	0.142	0.189
A1	1.20	1.40	0.047	0.055
A2	2.03	2.90	0.080	0.114
b	0.40	1.00	0.016	0.039
b2	1.20	1.78	0.047	0.070
c	0.36	0.60	0.014	0.024
D	14.22	16.50	0.560	0.650
e	2.34	2.74	0.092	0.108
E	9.70	10.60	0.382	0.417
H1	5.84	6.85	0.230	0.270
L	12.70	14.70	0.500	0.579
L1	2.70	3.30	0.106	0.130
ØP	3.50	4.00	0.138	0.157
Q	2.54	3.40	0.100	0.134

NOTE: Above package outline conforms to JEDEC TO-220AB.

NOTICE

The information presented in this document is for reference only. Tak Cheong reserves the right to make changes without notice for the specification of the products displayed herein.

The product listed herein is designed to be used with ordinary electronic equipment or devices, and not designed to be used with equipment or devices which require high level of reliability and the malfunction of which would directly endanger human life (such as medical instruments, transportation equipment, aerospace machinery, nuclear-reactor controllers, fuel controllers and other safety devices), Tak Cheong Semiconductor Co., Ltd., or anyone on its behalf, assumes no responsibility or liability for any damages resulting from such improper use of sale.

This publication supersedes & replaces all information previously supplied. For additional information, please visit our website <http://www.takcheong.com>, or consult your nearest Tak Cheong's sales office for further assistance.