

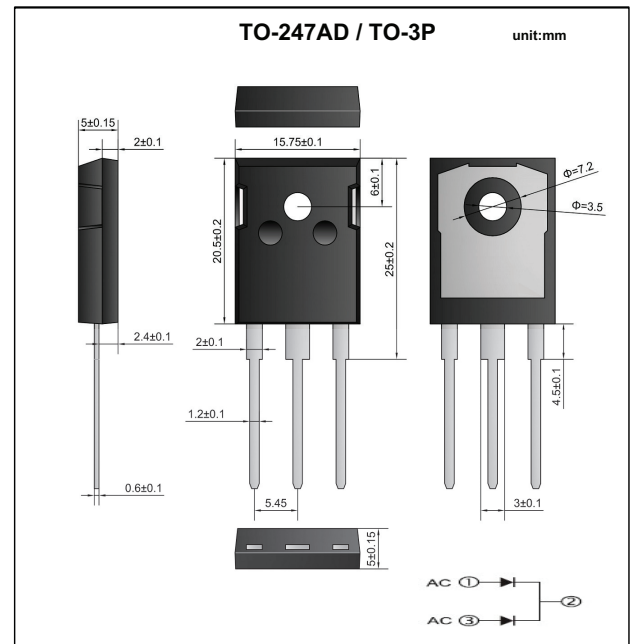
GLASS PASSIVATED SUPER FAST RECTIFIER

FEATURES

- Fred Chip Planar Construction
- Fred Chip Planar Construction
- SuperFast Switching,High Efficiency
- Low Power loss, High Efficiency
- Low Reverse Leakage Current
- High Surge Current Capability
- Plastic Material has UL Flammability Classification 94V-O

MECHANICAL DATA

- Case: TO-247AD/TO-3P, Molded Plast
- Terminals:Pure tin Plated ,Lead free Solderable per MIL-STD-750 Method 2026
- Polarity: As marked
- Weight: 6.4 grams(approx)
- Mounting Position:Any



MAXIMUM RATINGS AND ELECTRICAL CHARACTERISTICS @TA=25°C unless otherwise specified

- Single Phase, half wave, 60Hz, resistive or inductive load.
- For capacitive load, derate current by 20%.

Characteristic	Symbol	MUR 6010PT	MUR 6015PT	MUR 6020PT	MUR 6030PT	MUR 6040PT	MUR 6050PT	MUR 6060PT	Unit
Maximum Recurrent Peak Reverse Voltage	V_{RRM}	100	150	200	300	400	500	600	V
Maximum RMS Voltage	V_{RMS}	70	105	140	210	280	350	420	V
Maximum DC Blocking Voltage	V_{DC}	100	150	200	300	400	500	600	V
Maximum Average Forward (See Figure 1)	$I_{F(AV)}$	60							A
Peak Forward Surge Current : 8.3ms single half si ne-wave superimposed on rated load(JEDEC method)	I_{FSM}	350							A
Maximum Forward Voltage at 30A per leg	V_F	1.0			1.3		1.70		V
Maximum DC Reverse Current at $T_A=25^\circ\text{C}$ Rated DC Blocking Voltag $T_A=100^\circ\text{C}$	I_R	0.003 500							mA
Maximum Reverse Recovery Time (Measured With $I_F=0.5\text{A}$, $I_R=1.0\text{A}$, $IRR=0.25\text{A}$)	T_{TR}	35			50				nS
Typical Thermal Resistance	$R_{\theta JC}$	1.0							$^\circ\text{C}/\text{W}$
Operating Junction and Storage Temperature Range	T_J, T_{STG}	-55 to +150							$^\circ\text{C}$

Note: (1) Mounted on 14mm X 14mm pad areas,1oz.FR4 P.C.B

(2) Free air,mounted on recommended copper pad area

(3) Pulse test:300us pulse width,1% duty cycle

(4) Pulse test:Pulse width \leq 40ms

GLASS PASSIVATED SUPER FAST RECTIFIER

RATINGS AND CHARACTERISTIC CURVES MUR6010PT - MUR6060PT

Fig-1

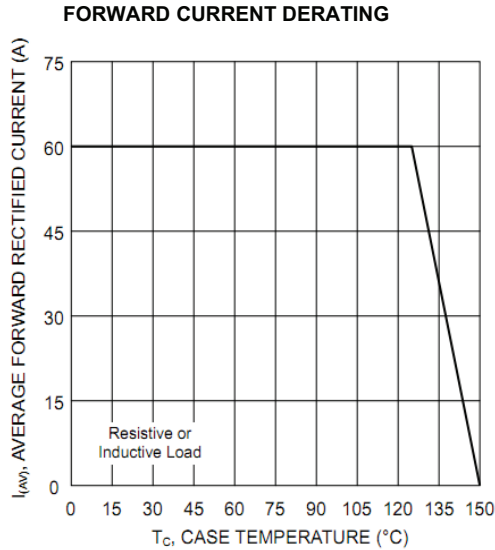


Fig-2

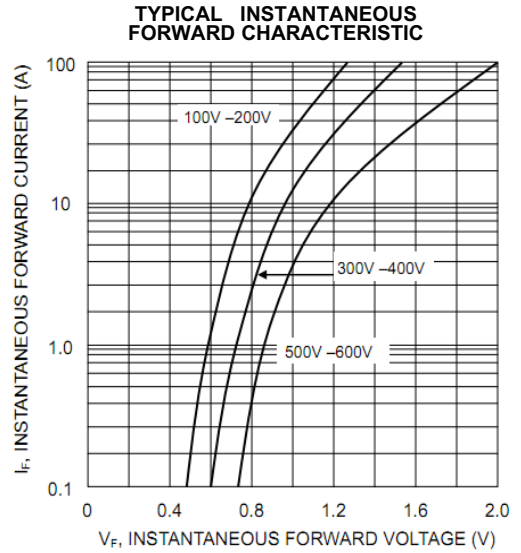


Fig-3

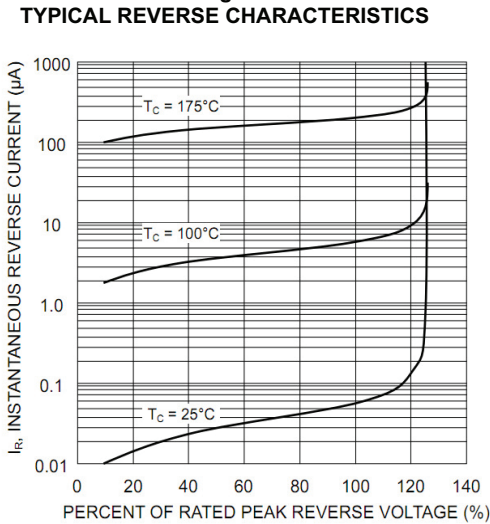
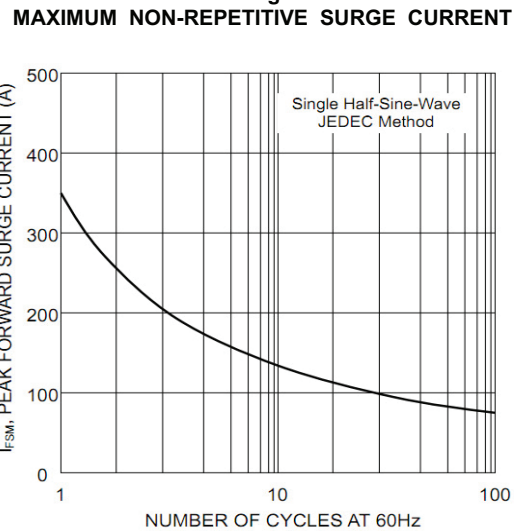


Fig-4



Disclaimer

All product, product specifications and data are subject to change without notice to improve reliability, function or design or otherwise.