

REV	DESCRIPTION	APPROVAL

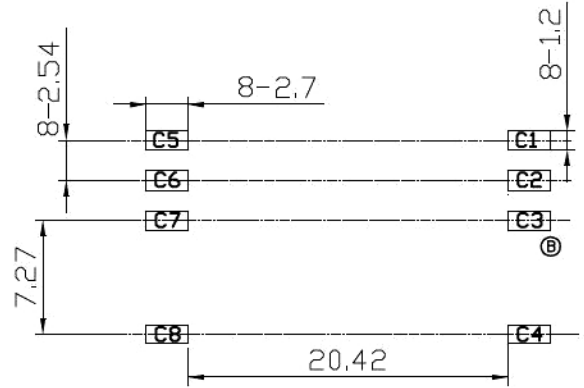
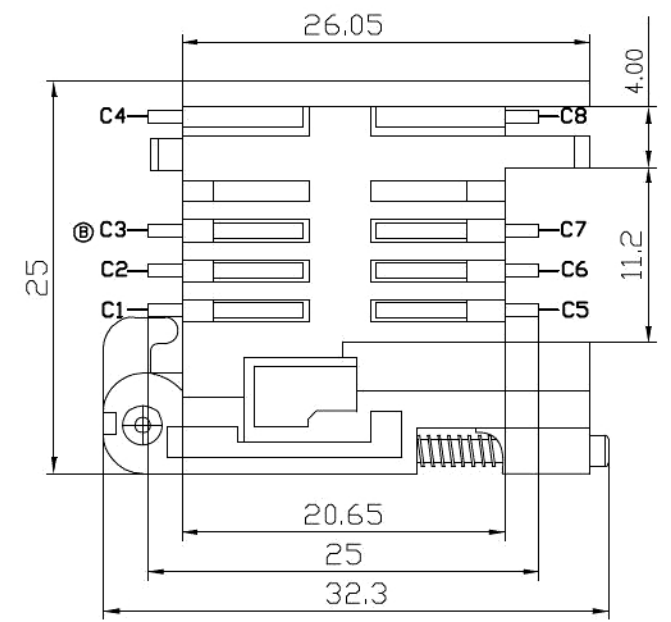
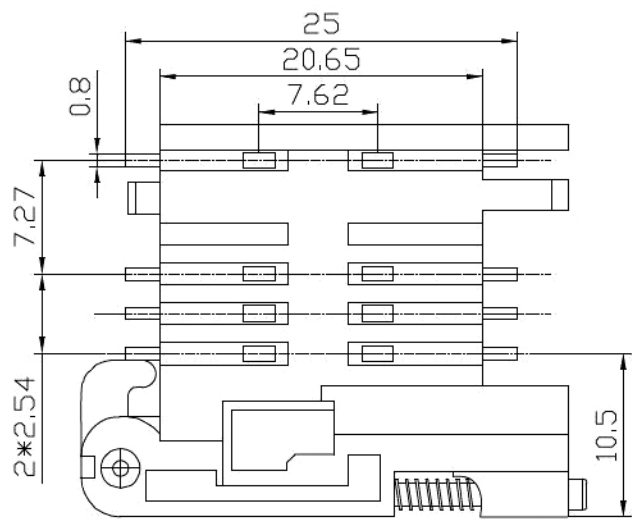
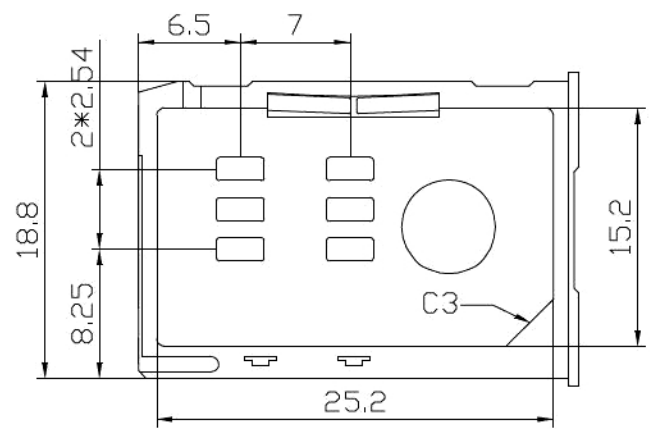
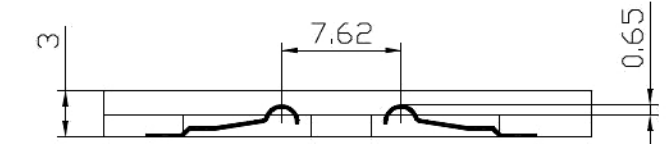
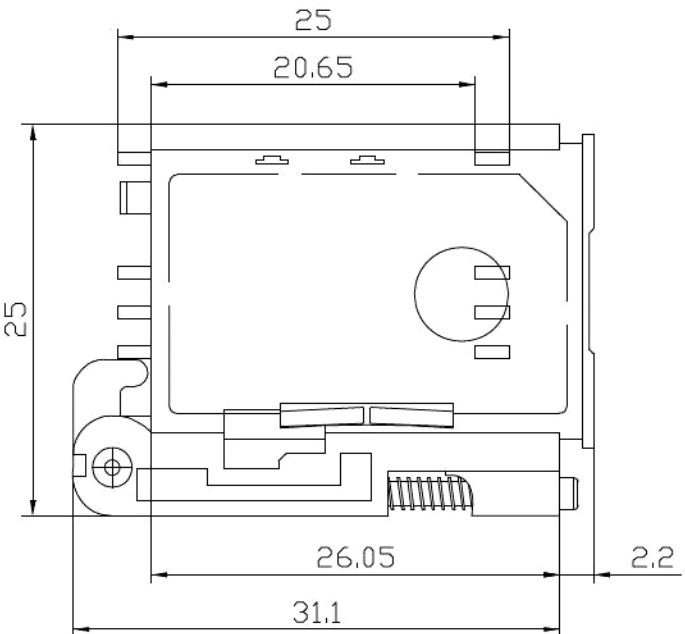
NOTES:

MATERIAL:  
 1.CONTACT: COPPER ALLOY  
 2.PLATING: SELECTIVE AU ON MATING AREA,TIN ON SOLDER ARER;  
 3.HOUSING: LCP

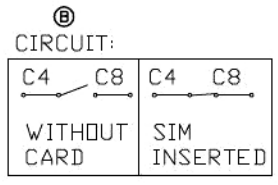
MECHANICAL:  
 1.PIN COUNT: 8PIN  
 2.DURABILITY: 5000 CYCLES;  
 3.INSERTION FORCE: 1.5KGF MAX.  
 4.EXTRACTION FORCE: 2KGF MIN.  
 5.CONTACT NORMAL FORCE: 0.2KG~0.6KGF

ELECTRICAL  
 1.INSULATION RESISTANCE: 1000MQ MIN.  
 2.CONTACT RESISTANCE: 100mΩMAX  
 3.CD FUNCTION: NORMALLY OPEN

ENVIRONMENT  
 1.OPERATION TEMPERATURE: -40°C~+85°C  
 2.SOLDER CONDITION: 260°C 5S  
 3.HUMIDITY: 40°C , 90%~96% , 48H;  
 4.SALT SPRAY: 5% NaCl, 35°C 8H;



RECOMMENDED PCB LAYOUT  
 TOLERANCE: ± 0.05



⑧

PIN NO.	PIN NAME
C1	Supply Voltage Vcc
C2	Reset (RST)
C3	Clock (CLK)
C4	N/A
C5	Ground
C6	Programming Voltage Vpp
C7	I/O
C8	N/A

DRAWING:  
 Jun  
 16/11/25

**RUICHI**

**KF-016**

UNIT: mm	GENERAL TOLERANCE UNLESS SPECIFIED .X:±0.30 .XX:±0.20 .XXX:±0.10	TITLE: SIM PUSH 25*32.3*3mm带卡拖
SCALE: --		PART NO: SIM-045
SHEET: 1/1	PROJECTION:	CUSTOMER NO:
		REV: A0