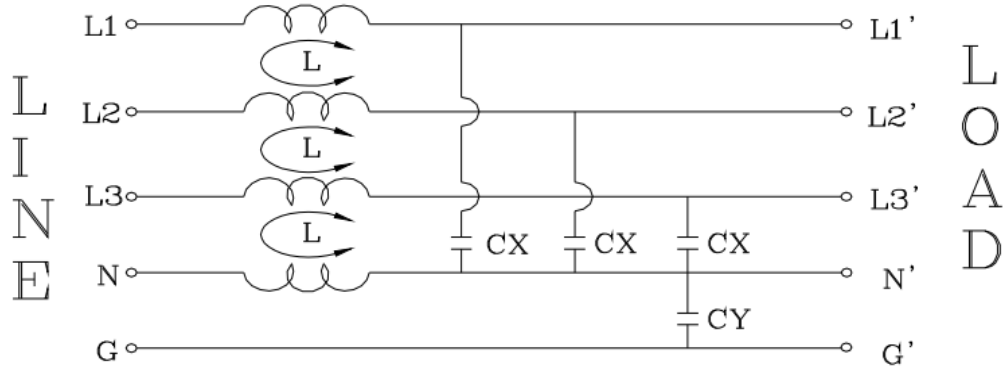
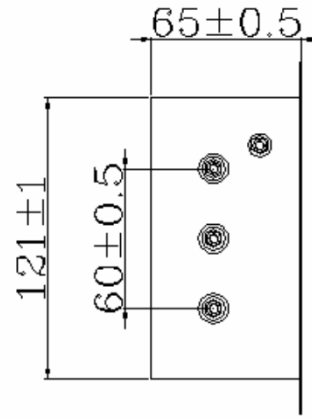
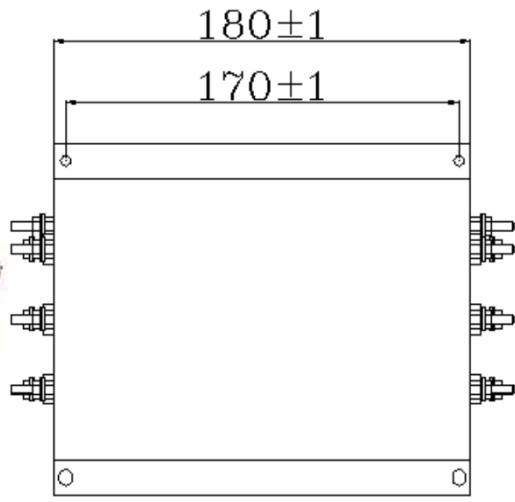


DL-150EA1



SPECIFICATION FOR APPROVAL

1: Ratings and Values

Rated Voltage:	250VAC/380VAC
Frequency;	50/60Hz
Rated Current;	60 A-150A
Operating Temp:	-25 to+85°C
Leakage Current:	5mAmax@220VAC/50Hz
Climatic Category:	25/85/21 (-25°C to+85°C)
Storage Temperature:	-25to 100°C
Relevant Design Standards:	UL, CUL, E2601603 CE ROHS

2: GENERAL SPECIFICATIONS

Inductance: (60A)	L1:2x1.2mH+25% @1khz,1v min
Inductance: (80A)	L1:2x0.8mH+25% @1khz,1v min
Inductance: (100)	L1:2x.05mH+25% @1khz,1v min
Inductance: (120A)	L1:2x0.5mH+25% @1khz,1v min
Inductance: (150)	L1:2x0.5mH+25% @1khz,1v min
Capacitance-	Cx:1.0uF CY:2X3300pF
Capacitance-	CX:1.0uF CY:2X103
Resistance:	1.0MΩ
Hi-pot Voltage	L-L/N-N 1450VDC,L/N-G-G:2250VDC
IR	L/N-G:100VDC 300MΩ Min
DCR	L-L,:0.5Ω Max