



| | | | | | |
|--------------|-----------------------|----------------|------------|------|-----|
| Product Name | Cement Type Resistors | | | | |
| Version | A1 | Enactment Date | 13-7 -2012 | Page | 2-1 |

1、 Indication

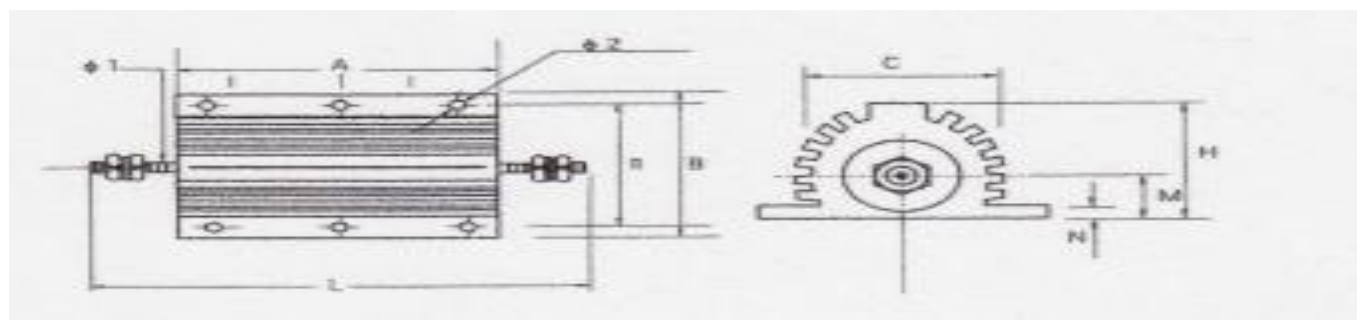
- (1) Rated Power
- (2) Resistance
- (3) Tolerance

Sample

800W 300Ω J

2、 External dimensions

2.1 AH-800 型 AH-800 type



3: Graphic size

4: Resistance Technical Parameters

| Power Rating | A | B | L | H | I | C | M | N |
|--------------|-----|----|-----|----|-----|----|----|---|
| 800W | 250 | 72 | 290 | 42 | 105 | 45 | 21 | 5 |