
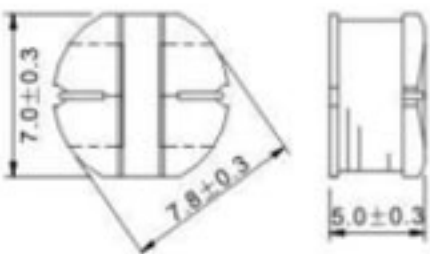
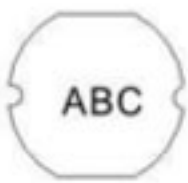
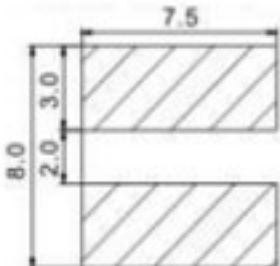



Appearance	Dimensions (mm)	Land patterns (mm)	Construction
	 		

CD75 TYPE DATA SHEET

FEATURES

Quantity/reel:1000pcs

carrier tape packing,use for SMT.

Suitable for reflow soldering.

Widely use in DC-DC converter/LCD TV/Notebook/PDA/MP3

-MP4player/Digital camera/Portable CDR-W etc.

Inductan Range: 1.0~470uH

Temperature range: -30~100℃

Electrical Characteristics.

Model no.	Test condition	Inductance (uH)	Tolerance (%)	DC resutance MAX (Ω)	Rated current (A)
CD75-1R0	100KHZ, 0.3V	1.0	±20	0.013	7.5
CD75-2R2	100KHZ, 0.3V	2.2	±20	0.023	5.3
CD75-3R3	100KHZ, 0.3V	3.3	±20	0.028	4.5
CD75-4R7	100KHZ, 0.3V	4.7	±20	0.045	4.0
CD75-6R8	100KHZ, 0.3V	6.8	±20	0.58	3.2
CD75-8R2	100KHZ, 0.3V	8.2	±20	0.07	2.8
CD75-100	1KHZ, 0.3V	10.0	±20	0.07	2.3
CD75-120	1KHZ, 0.3V	12.0	±20	0.08	2.0
CD75-150	1KHZ, 0.3V	15.0	±20	0.09	1.80
CD75-180	1KHZ, 0.3V	18.0	±20	0.1	1.6
CD75-220	1KHZ, 0.3V	22.0	±20	0.11	1.50
CD75-270	1KHZ, 0.3V	27.0	±20	0.12	1.3
CD75-330	1KHZ, 0.3V	33.0	±20	0.13	1.2
CD75-390	1KHZ, 0.3V	39.0	±20	0.16	1.10
CD75-470	1KHZ, 0.3V	470.0	±20	0.18	1.00
CD75-560	1KHZ, 0.3V	560.0	±20	0.24	0.94
CD75-680	1KHZ, 0.3V	680.0	±20	0.28	0.85
CD75-820	1KHZ, 0.3V	820.0	±20	0.37	0.78
CD75-101	1KHZ, 0.3V	100.0	±20	0.43	0.72
CD75-121	1KHZ, 0.3V	120.0	±20	0.47	0.66
CD75-151	1KHZ, 0.3V	150.0	±20	0.64	0.58
CD75-181	1KHZ, 0.3V	180.0	±20	0.71	0.51
CD75-221	1KHZ, 0.3V	220.0	±20	0.96	0.49
CD75-271	1KHZ, 0.3V	270.0	±20	1.11	0.42
CD75-391	1KHZ, 0.3V	391.0	±20	1.77	0.36
CD75-471	1KHZ, 0.3V	471.0	±20	1.96	0.34