
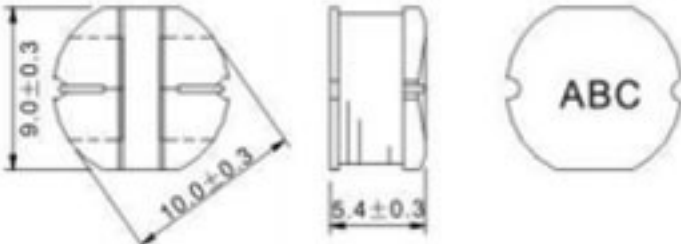
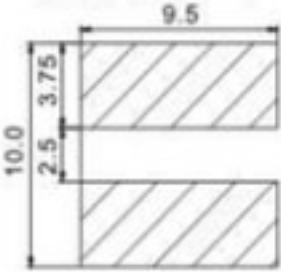



Appearance	Dimensions (mm)	Land patterns (mm)	Construction
			

CD105 TYPE DATA SHEET

FEATURES

Quantity/reel:500pcs

carrier tape packing,use for SMT.

Suitable for reflow soldering.

Widely use in DC-DC converter/LCD TV/Notebook/PDA/MP3

-MP4player/Digital camera/Portable CDR-W etc.

Inductan Range: 1.2~820uH

Temperature range: -30~100℃

Electrical Characteristics

Model	Test	Indutan	Tolerance	DC resutance MAX(Ω)	Rated current
CD105-1R2	100KHZ, 0.3V	1.0	±20	0.012	8.63
CD105-2R2	100KHZ, 0.3V	2.2	±20	0.02	7.20
CD105-3R3	100KHZ, 0.3V	3.3	±20	0.028	6.50
CD105-4R7	100KHZ, 0.3V	4.7	±20	0.038	5.50
CD105-6R8	100KHZ, 0.3V	6.8	±20	0.042	4.50
CD105-100	1KHZ, 0.3V	10.0	±20	0.07	2.60
CD105-150	1KHZ, 0.3V	15.0	±20	0.07	1.72
CD105-180	1KHZ, 0.3V	18.0	±20	0.08	1.58
CD105-220	1KHZ, 0.3V	22.0	±20	0.09	1.42
CD105-270	1KHZ, 0.3V	27.0	±20	0.10	1.32
CD105-330	1KHZ, 0.3V	33.0	±20	0.12	1.16
CD105-390	1KHZ, 0.3V	39.0	±20	0.15	1.10
CD105-470	1KHZ, 0.3V	47.0	±20	0.17	1.00
CD105-560	1KHZ, 0.3V	56.0	±20	0.2	0.93
CD105-680	1KHZ, 0.3V	68.0	±20	0.22	0.85
CD105-820	1KHZ, 0.3V	82.0	±20	0.25	0.79
CD105-101	1KHZ, 0.3V	100.0	±20	0.34	0.72
CD105-121	1KHZ, 0.3V	120.0	±20	0.40	0.63
CD105-151	1KHZ, 0.3V	150.0	±20	0.54	0.55
CD105-181	1KHZ, 0.3V	180.0	±20	0.62	0.5
CD105-221	1KHZ, 0.3V	220.0	±20	0.72	0.47
CD105-271	1KHZ, 0.3V	270.0	±20	0.95	0.41
CD105-331	1KHZ, 0.3V	330.0	±20	1.24	0.37
CD105-471	1KHZ, 0.3V	470.0	±20	1.53	0.33
CD105-561	1KHZ, 0.3V	560.0	±20	1.90	0.30
CD105-681	1KHZ, 0.3V	680.0	±20	1.90	0.28
CD105-821	1KHZ, 0.3V	820.0	±20	1.90	0.24