

DC double display meter specifications

Product features:

- 1.The two-color dual table compact, can be displayed simultaneously on the same screen voltage , current, with fine-tuning function, you can display the most sophisticated measurement values
- 2- The meter supply range : DC4.5 ~ 30V, reverse supply will not burn ,
- 3.Note: The maximum input voltage can not exceed 30V, otherwise there is the danger of burning
- 4.The meter is equipped with five wiring, easy access to cars, electric vehicles , motorcycles, car lines, used to monitor the battery voltage, battery voltage status grasp , can also be used for other products voltage and current measurement purposes

Technical parameters:

Supply voltage : DC4.5 ~ 30V

Test voltage : 0 ~ 100V;

minimum resolution : 0.1V,

Test current range : maximum 10A,

minimum resolution : 10MA, (built-in crossover)

Working current : $\leq 20\text{MA}$

Display : 0.28 "LED ----

Dimensions : 48 × 29 × 21mm

Installation hole : 45.5 × 26.5mm

Measuring rate : $\geq 300\text{mS}$ / times

Accuracy : 1% (± 1 word)

Extreme working conditions :

- Low Supply Voltage : DC +4.5 V
- Maximum Supply Voltage : DC +30 V
- Working temperature : $-15\text{ }^{\circ}\text{C} \sim +70\text{ }^{\circ}\text{C}$
- Operating Humidity : 10 \sim 80% (non-condensing)
- Working pressure : 80 \sim 106kPa
- Sun exposure : no direct exposure

Wiring methods :

This meter is equipped with five lines , please find professionals in strict accordance with the following wiring wiring diagram ;

Power meter : two-wire receptacle (thin line)

Thin black line : Header supply ground

The Thin Red Line : positive power meter line

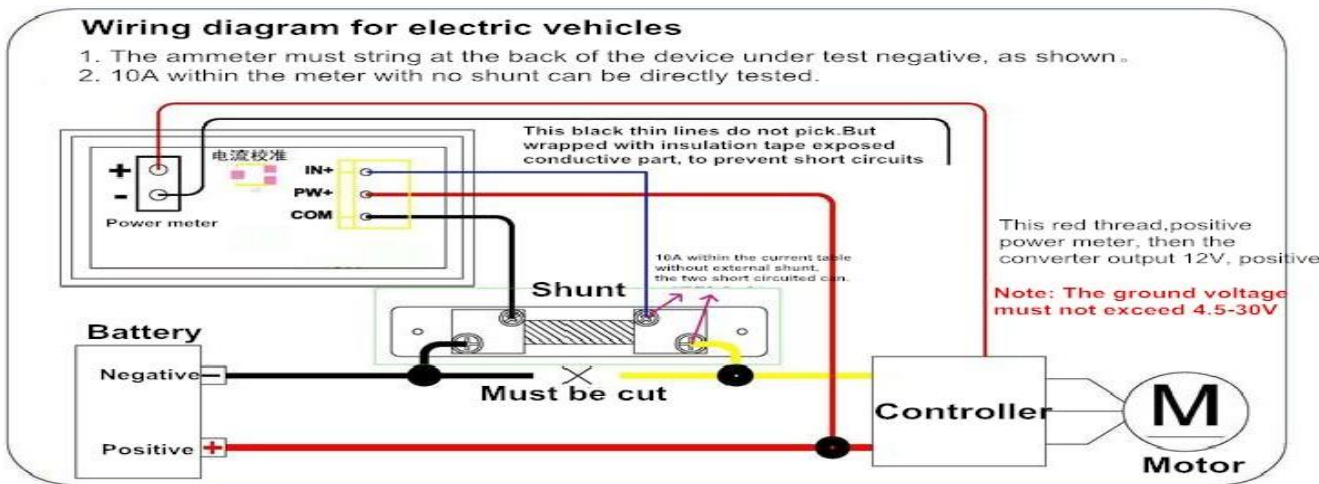
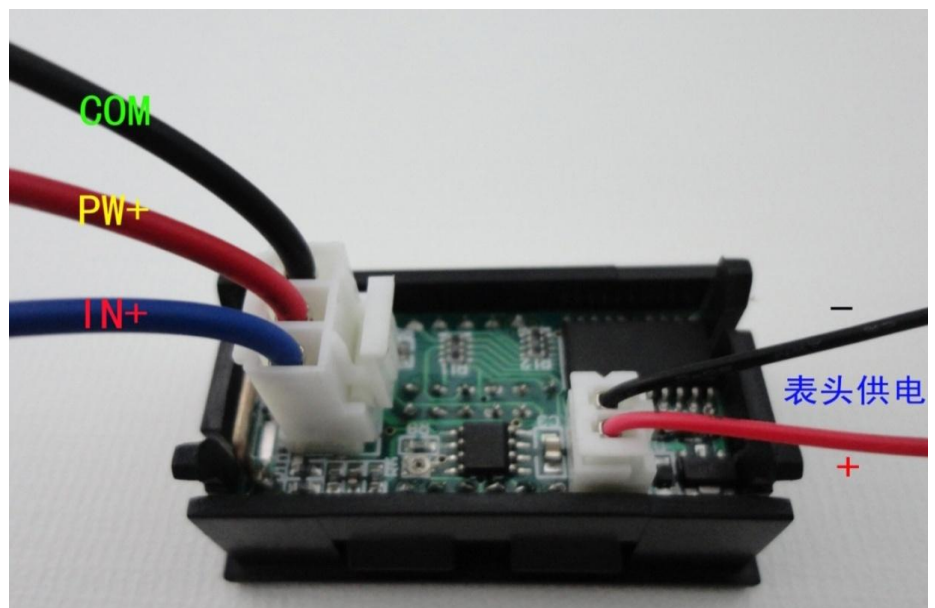
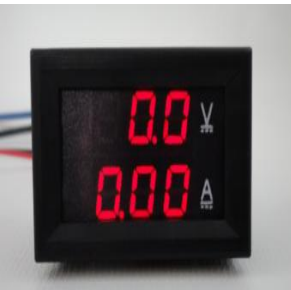
(Note : The voltage between the red and black thin lines can not exceed DC30V)

· Test side: three-wire receptacle (thick line)

COM ----- black line : test common (common ground)

PW + ----- Red: positive voltage measurement inputs

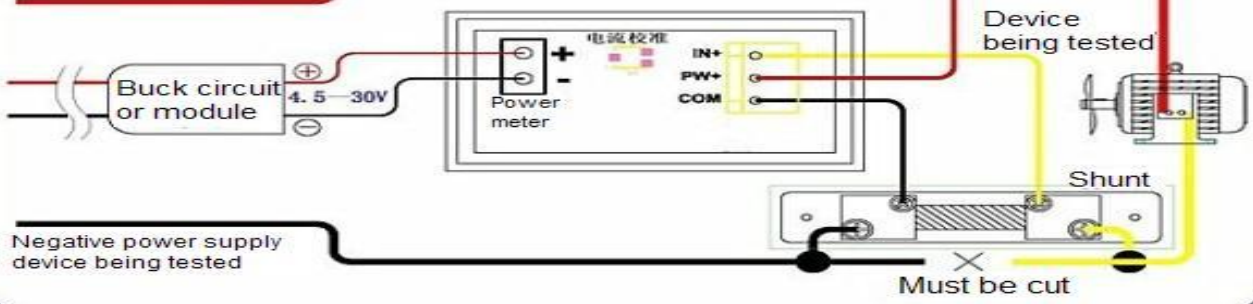
IN + ----- Blue Line : current inputs ;



Outside power supply - wiring diagram:

1. The ammeter must string at the back of the device under test negative, as shown.
2. 10A within the meter with no shunt can be directly tested.

The positive power supply device being tested



Nonisolated - Outside power supply - wiring diagram

1. The ammeter must string at the back of the device under test negative, as shown
2. 10A within the meter with no shunt can be directly tested.

This red thread, the positive power meter, ground voltage must not exceed 4.5-30V

