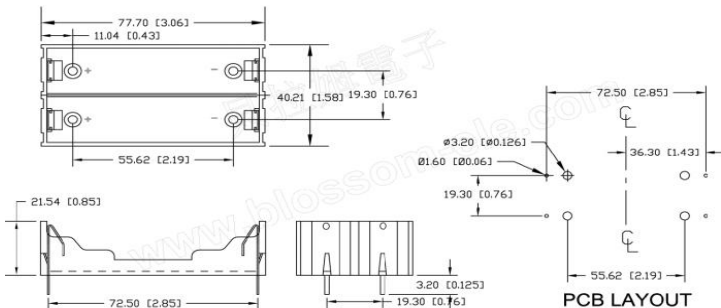


# Model: Battery Holder for Li-ion 2X18650



№	Параметр / Parameter	Значение ( Value )
1	Material	ABS Resin,Black color
2	Terminal	PC Pins
3	Spring	302Stainless Steel Spring Temper,Nickel Plated
4	Temperature	(-40°C to+80°C)
	RoHS Compliant	



**RUICHI**