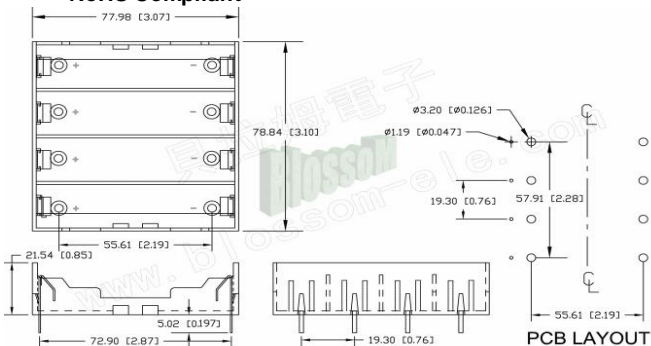


Model: Battery Holder for Li-ion 4X18650



№	Параметр / Parameter	Значение (Value)
1	Material	ABS Resin,Black color
2	Terminal	PC Pins
3	Spring	302Stainless Steel Spring Temper,Nickel Plated
4	Temperature	(-40°Cto+80°C)

RoHS Compliant



RUICHI