

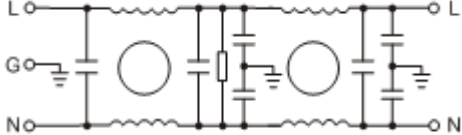
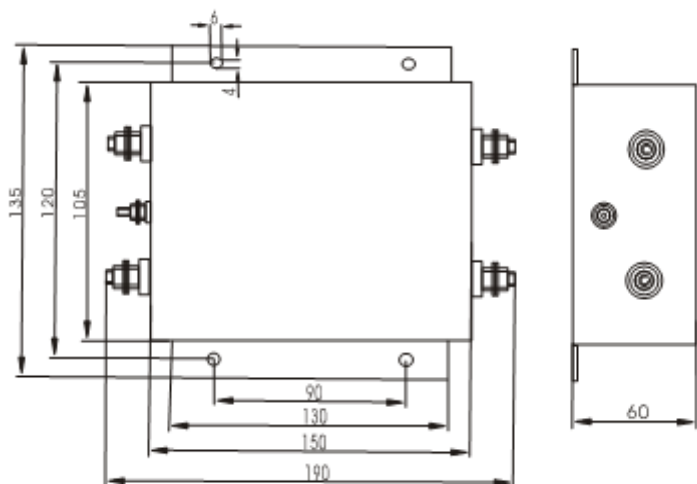


Part No.	Rated Current	LeaKage Current	Dimension	Input	Output	Electrical Schematics
DL-50T1	50A	<2.0 mA	B2			

Applications

Available for Single-Chip computer systems and switching power supplies

Rated Voltage 11/250VAV
Line Frequency 50/60Hz
Test Voltage 1500VDC
 1500VAC
Insulation Rcistance >50MΩ @ 500VDC
Temperature Rise < 50℃
Climatic category 25*085/21



B2

RUICHI